

CLE

Intelligent High Bay Luminaire

Date: _____

Quantity: _____

Company: _____

Project: _____

The CLE luminaire family from Digital Lumens offers unparalleled performance and reliability across a broad range of industrial and commercial applications. Featuring a value-optimized chassis design, CLE intelligent LED luminaires are an energy efficient, cost-effective alternative to uncontrolled LED, fluorescent, and HID luminaires.



Key Features & Benefits

- Lumen output from 9,274 to 46,894 lm
- Efficacy up to 159 lm/W
- Aisle, Wide Diffuse, and Wide Clear optic options
- Standard aircraft cable or fixed mounting options
- Streamlined, value-optimized steel chassis
- Built on Lightelligence®, the Digital Lumens core technology that ensures openness, connectivity, and scalability

Digital Lumens' suite of SiteWorx® applications and an array of smart devices can meter your utilities, monitor your entire facility, and observe critical areas. SiteWorx starts delivering meaningful data and actionable insights right out of the box. Now you can make data-informed decisions, spot hidden problems, and take immediate action. All while keeping your people safe and productive and your operation efficient and sustainable.

SiteWorx Tune is an intelligent lighting control application that uses smart sensors and advanced cloud-based software to maximize energy savings, improve productivity, and maintain safe, comfortable light levels. It brings new control and savings to your lighting infrastructure. With SiteWorx Tune, you can stay informed via the Savings dashboard, which displays real-time energy usage and savings data.

Digital Lumens products are designed and manufactured to satisfy the highest quality standards of customers worldwide. Our products deliver performance, reliability, and long life and are supported by a global network of partners and product specialists.

Specifications

SENSING AND CONTROL

Onboard Intelligence

- Built-in sensing with data logging
- Energy and fault monitoring
- Protective temperature monitoring and control

Native Sensing

- Integrated PIR occupancy sensor
- Integrated daylight sensor

Wireless Networking

- IEEE 802.15.4 Wireless Mesh

Connected IoT Platform

- Lightelligence

Control Capabilities

- On-demand adjustments via mobile and web applications
- kWh and occupancy logging
- Daylight harvesting

Dimming

- 0% – 100%

PERFORMANCE

Unified Glare Rating¹

- 20

Power Factor

- 0.9 minimum

Surge Protection

- Per IEC 61547
- 1.5 kV line-line / 3 kV line-earth

Wiring

- Direct wiring with 0.5 inch (Pg-7) trade size knockout

ENVIRONMENTAL

Operating Temperature

- Luminaire
 - -4° – 122°F (-20° – 50°C)
- Luminaire with BBDCLC battery backup
 - 32° – 122°F (0° – 50°C) – UL
 - 32° – 77°F (0° – 25°C) – CE

Maximum Storage Temperature

- 122°F (50°C)

Operating Humidity

- 0% – 95%, non-condensing

Photobiological Safety

- RGI per IEC TR 62778
- RGO per IEC-62471

PHYSICAL

Luminaire Frame

- Painted Steel

Optic Material

- Optical grade PMMA
- Optical grade PC option (diffuse optic)

Optic Options

- Aisle, Wide Diffuse, and Wide Clear²

Mounting Options

- Aircraft Cable or Fixed Mount/Pendant

WARRANTY

- 10-Year Limited Warranty

CERTIFICATIONS & SAFETY

Approbation

- UL/cUL, UL-NOM, CE, FCC Part 15 Class B, RoHS, Design Lights Consortium (DLC) Premium

Environmental Suitability

- UL Damp Location³, IP20



lightelligence
enabled

CLE-B1

Specifications

PERFORMANCE

UL

Color Temperature⁴

- 5,000 K CCT
- 4,000 K CCT

Lumen Output (nominal)⁵

- 11,890 lm (5,000 K)
- 10,780 lm (4,000 K)

Power Consumption

- 78 W

Efficacy⁶

- 152 lm/W (5,000 K)
- 138 lm/W (4,000 K)

CRI

- 80 minimum, 82 typical

Input Ratings⁷

- 120 – 277 VAC, 50/60 Hz Standard Voltage (ST)

CE

Color Temperature⁴

- 5,000 K CCT
- 4,000 K CCT

Lumen Output (nominal)⁵

- 10,610 lm (5,000 K)
- 9,274 lm (4,000 K)

Power Consumption

- 78 W (5,000 K)
- 77 W (4,000 K)

Efficacy⁶

- 137 lm/W (5,000 K)
- 121 lm/W (4,000 K)

CRI

- 80 minimum, 82 typical

Input Ratings⁷

- 220 – 240 VAC, 50/60 Hz

PHYSICAL

Dimensions (H x W x D)

- 20.2 x 15.1 x 2.9 inch (513 x 384 x 74 mm)

Weight

- 8.4 lbs (3.8 kg)

LUMEN MAINTENANCE & DRIVER LIFETIME^{8,9}

25°C

50°C

L₉₀ (18k)

> 67,000

> 56,000

L₈₀ (18k)

> 162,000

> 138,000

L₇₀ (18k)

> 271,000

> 232,000

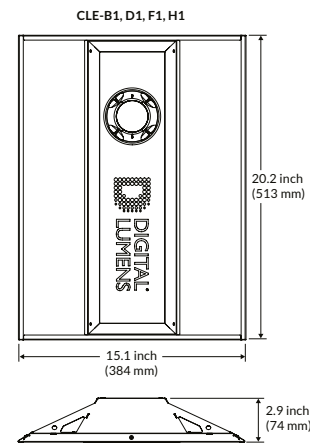
Driver Lifetime

120,000

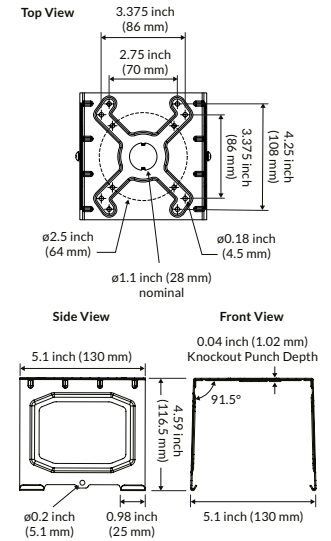
100,000

Dimensions

Luminaire



Fixed/Pendant Mount Bracket



Illuminance at Distance

UL

Aisle Optic

	Center Beam fc	Beam Spread	
10 ft	59	13 ft	29 ft
20 ft	15	26 ft	58 ft
30 ft	7	38 ft	86 ft
40 ft	4	51 ft	115 ft
50 ft	2	64 ft	144 ft

Horizontal Vertical

Wide Diffuse Optic

	Center Beam fc	Beam Spread	
10 ft	46	25 ft	25 ft
20 ft	11	50 ft	50 ft
30 ft	5	75 ft	76 ft
40 ft	3	99 ft	101 ft
50 ft	2	125 ft	126 ft

Horizontal Vertical

CE

Aisle Optic

	Center Beam fc	Beam Spread	
10 ft	59	13 ft	29 ft
20 ft	15	26 ft	58 ft
30 ft	7	38 ft	86 ft
40 ft	4	51 ft	115 ft
50 ft	2	64 ft	144 ft

Horizontal Vertical

Wide Diffuse Optic

	Center Beam fc	Beam Spread	
10 ft	39	28 ft	28 ft
20 ft	10	56 ft	55 ft
30 ft	4	83 ft	83 ft
40 ft	3	111 ft	110 ft
50 ft	2	139 ft	138 ft

Horizontal Vertical

Wide Clear Optic

	Center Beam fc	Beam Spread	
10 ft	44	31 ft	31 ft
20 ft	11	62 ft	62 ft
30 ft	5	93 ft	93 ft
40 ft	3	124 ft	124 ft
50 ft	2	154 ft	155 ft

Horizontal Vertical

CLE-D1

Specifications

PERFORMANCE

UL

Color Temperature⁴

- 5,000 K CCT
- 4,000 K CCT

Lumen Output (nominal)⁵

- 17,640 lm (5,000 K)
- 15,940 lm (4,000 K)

Power Consumption

- 115 W (5,000 K)
- 114 W (4,000 K)

Efficacy⁶

- 153 lm/W (5,000 K)
- 140 lm/W (4,000 K)

CRI

- 80 minimum, 82 typical

Input Ratings⁷

- 120 – 277 VAC, 50/60 Hz Standard Voltage (ST)
- 347 – 480 VAC, 50/60 Hz High Voltage (HV)

PHYSICAL

Dimensions (H x W x D)

- 20.2 x 15.1 x 2.9 inch (513 x 384 x 74 mm)

Weight

- 9.4 lbs (4.3 kg)

LUMEN MAINTENANCE & DRIVER LIFETIME^{8,9}

25°C

50°C

L₉₀ (18k)

> 64,000

> 50,000

L₈₀ (18k)

> 155,000

> 134,000

L₇₀ (18k)

> 258,000

> 224,000

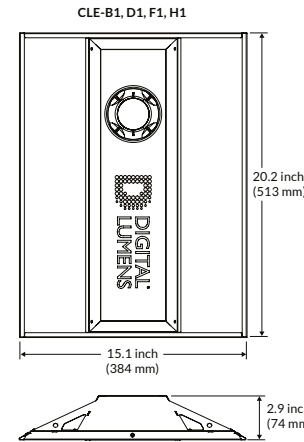
Driver Lifetime

120,000

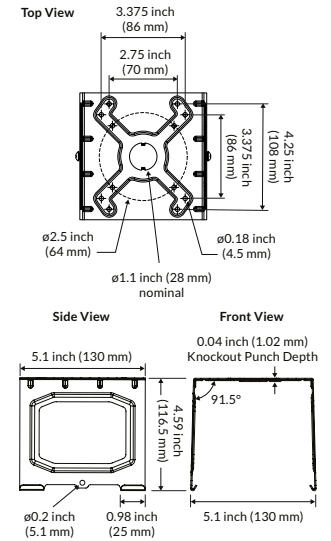
90,000

Dimensions

Luminaire



Fixed Mount/ Pendant Bracket



Illuminance at Distance

UL

Aisle Optic

	Center Beam fc	Beam Spread		
10 ft	92	13 ft	28 ft	
20 ft	23	25 ft	57 ft	
30 ft	10	38 ft	85 ft	
40 ft	6	50 ft	114 ft	
50 ft	4	62 ft	142 ft	
		Horizontal	Vertical	

Wide Diffuse Optic

	Center Beam fc	Beam Spread		
10 ft	69	25 ft	25 ft	
20 ft	17	50 ft	51 ft	
30 ft	8	75 ft	76 ft	
40 ft	4	99 ft	101 ft	
50 ft	3	125 ft	127 ft	
		Horizontal	Vertical	

CE

Aisle Optic

	Center Beam fc	Beam Spread		
10 ft	92	13 ft	28 ft	
20 ft	23	25 ft	57 ft	
30 ft	10	38 ft	85 ft	
40 ft	6	50 ft	114 ft	
50 ft	4	62 ft	142 ft	
		Horizontal	Vertical	

Wide Diffuse Optic

	Center Beam fc	Beam Spread		
10 ft	58	28 ft	28 ft	
20 ft	14	55 ft	55 ft	
30 ft	6	83 ft	82 ft	
40 ft	4	111 ft	110 ft	
50 ft	2	139 ft	137 ft	
		Horizontal	Vertical	

Wide Clear Optic

	Center Beam fc	Beam Spread		
10 ft	66	31 ft	31 ft	
20 ft	16	62 ft	62 ft	
30 ft	7	93 ft	93 ft	
40 ft	4	124 ft	124 ft	
50 ft	3	155 ft	155 ft	
		Horizontal	Vertical	

CLE-F1

Specifications

PERFORMANCE

UL

Color Temperature⁴

- 5,000 K CCT
- 4,000 K CCT

Lumen Output (nominal)⁵

- 23,460 lm (5,000 K)
- 20,880 lm (4,000 K)

Power Consumption

- 151 W (5,000 K)
- 149 W (4,000 K)

Efficacy⁶

- 155 lm/W

CRI

- 80 minimum, 82 typical

Input Ratings⁷

- 120 – 277 VAC, 50/60 Hz Standard Voltage (ST)
- 347 – 480 VAC, 50/60 Hz High Voltage (HV)

PHYSICAL

Dimensions (H x W x D)

- 20.2 x 15.1 x 2.9 inch (513 x 384 x 74 mm)

Weight

- 9.4 lbs (4.3 kg)

LUMEN MAINTENANCE & DRIVER LIFETIME^{8,9}

25°C

50°C

L₉₀ (18k)

> 64,000

> 54,000

L₈₀ (18k)

> 155,000

> 134,000

L₇₀ (18k)

> 258,000

> 224,000

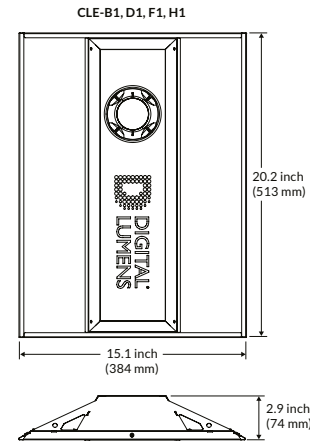
Driver Lifetime

120,000

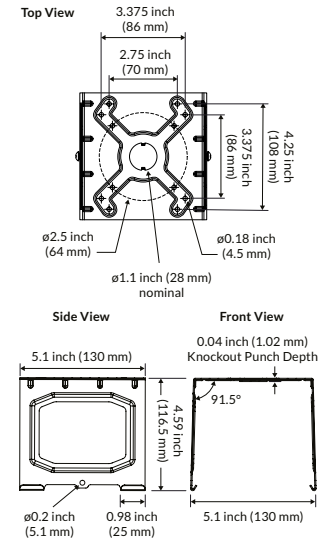
60,000

Dimensions

Luminaire



Fixed Mount/ Pendant Bracket



Illuminance at Distance

UL

Aisle Optic

	Center Beam fc	Beam Spread
10 ft	104	13 ft 28 ft
20 ft	26	25 ft 56 ft
30 ft	12	38 ft 85 ft
40 ft	6	50 ft 113 ft
50 ft	4	63 ft 141 ft

Horizontal Vertical

Wide Diffuse Optic

	Center Beam fc	Beam Spread
10 ft	92	25 ft 25 ft
20 ft	23	49 ft 50 ft
30 ft	10	74 ft 75 ft
40 ft	6	99 ft 100 ft
50 ft	4	123 ft 125 ft

Horizontal Vertical

CE

Aisle Optic

	Center Beam fc	Beam Spread
10 ft	116	13 ft 28 ft
20 ft	29	25 ft 56 ft
30 ft	13	38 ft 85 ft
40 ft	7	50 ft 113 ft
50 ft	5	63 ft 141 ft

Horizontal Vertical

Wide Diffuse Optic

	Center Beam fc	Beam Spread
10 ft	73	28 ft 27 ft
20 ft	18	55 ft 55 ft
30 ft	8	83 ft 82 ft
40 ft	5	110 ft 109 ft
50 ft	3	138 ft 137 ft

Horizontal Vertical

Wide Clear Optic

	Center Beam fc	Beam Spread
10 ft	81	31 ft 31 ft
20 ft	20	62 ft 62 ft
30 ft	9	93 ft 93 ft
40 ft	5	124 ft 124 ft
50 ft	3	155 ft 155 ft

Horizontal Vertical

CLE-H1

Specifications

PERFORMANCE

UL

Color Temperature⁴

- 5,000 K CCT
- 4,000 K CCT

Lumen Output (nominal)⁵

- 31,661 lm (5,000 K)
- 31,727 lm (4,000 K)

Power Consumption

- 216 W

Efficacy⁶

- 147 lm/W

CRI

- 80 minimum, 82 typical

Input Ratings⁷

- 120 – 277 VAC, 50/60 Hz Standard Voltage (ST)
- 347 – 480 VAC, 50/60 Hz High Voltage (HV)

CE

Color Temperature⁴

- 5,000 K CCT
- 4,000 K CCT

Lumen Output (nominal)⁵

- 28,929 lm (5,000 K)
- 28,655 lm (4,000 K)

Power Consumption

- 208 W
- 211 W

Efficacy⁶

- 138 lm/W

CRI

- 80 minimum, 82 typical

Input Ratings⁷

- 220 – 240 VAC, 50/60 Hz

PHYSICAL

Dimensions (H x W x D)

- 20.2 x 15.1 x 2.9 inch (513 x 384 x 74 mm)

Weight

- 9.4 lbs (4.3 kg)

LUMEN MAINTENANCE & DRIVER LIFETIME^{8,9}

25°C

50°C

L₉₀ (18k)

> 39,600

> 31,800

L₈₀ (18k)

> 83,300

> 66,900

L₇₀ (18k)

> 133,000

> 106,800

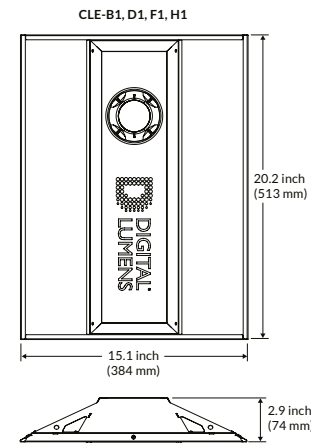
Driver Lifetime

120,000

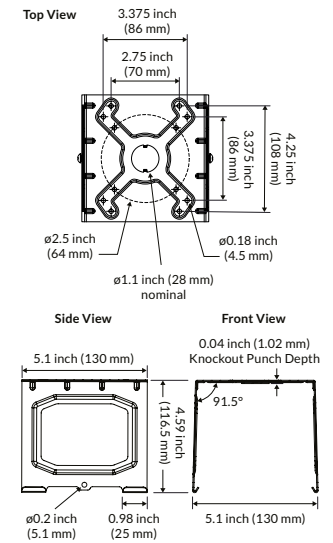
100,000

Dimensions

Luminaire



Fixed Mount/ Pendant Bracket



Illuminance at Distance

UL

Aisle Optic

	Center Beam fc	Beam Spread	
10 ft	148	13 ft	27 ft
20 ft	37	26 ft	54 ft
30 ft	16	40 ft	81 ft
40 ft	9	53 ft	107 ft
50 ft	6	66 ft	134 ft

Horizontal Vertical

Wide Diffuse Optic

	Center Beam fc	Beam Spread	
10 ft	122	26 ft	26 ft
20 ft	30	51 ft	52 ft
30 ft	14	77 ft	78 ft
40 ft	8	103 ft	104 ft
50 ft	5	128 ft	130 ft

Horizontal Vertical

CE

Aisle Optic

	Center Beam fc	Beam Spread	
10 ft	104	28 ft	28 ft
20 ft	26	57 ft	56 ft
30 ft	12	85 ft	85 ft
40 ft	7	113 ft	113 ft
50 ft	4	142 ft	141 ft

Horizontal Vertical

Wide Diffuse Optic

	Center Beam fc	Beam Spread	
10 ft	103	28 ft	27 ft
20 ft	26	57 ft	56 ft
30 ft	11	85 ft	85 ft
40 ft	6	114 ft	113 ft
50 ft	4	142 ft	141 ft

Horizontal Vertical

Wide Clear Optic

	Center Beam fc	Beam Spread	
10 ft	121	28 ft	28 ft
20 ft	30	57 ft	56 ft
30 ft	13	85 ft	85 ft
40 ft	8	114 ft	113 ft
50 ft	5	142 ft	141 ft

Horizontal Vertical

CLE-N1

Specifications

PERFORMANCE

UL

Color Temperature⁴

- 5,000 K CCT
- 4,000 K CCT

Lumen Output (nominal)⁵

- 45,812 lm (5,000 K)
- 46,441 lm (4,000 K)

Power Consumption

- 314 W (5,000 K)
- 323 W (4,000 K)

Efficacy⁶

- 146 lm/W (5,000 K)
- 144 lm/W (4,000 K)

CRI

- 80 minimum, 82 typical

Input Ratings⁷

- 120 – 277 VAC, 50/60 Hz Standard Voltage (ST)
- 347 – 480 VAC, 50/60 Hz High Voltage (HV)

CE

Color Temperature⁴

- 5,000 K CCT
- 4,000 K CCT

Lumen Output (nominal)⁵

- 40,716 lm (5,000 K)
- 40,827 lm (4,000 K)

Power Consumption

- 311 W (5,000 K)
- 315 W (4,000 K)

Efficacy⁶

- 131 lm/W (5,000 K)
- 130 lm/W (4,000 K)

CRI

- 80 minimum, 82 typical

Input Ratings⁷

- 220 – 240 VAC, 50/60 Hz

PHYSICAL

Dimensions (H x W x D)

- 30.6 x 20.4 x 3.3 inch (777 x 518 x 84 mm)

Weight

- 18.8 lbs (8.6 kg)

LUMEN MAINTENANCE & DRIVER LIFETIME^{8,9}

25°C

50°C

L₉₀ (18k)

> 34,600

> 31,800

L₈₀ (18k)

> 83,300

> 66,900

L₇₀ (18k)

> 133,000

> 106,800

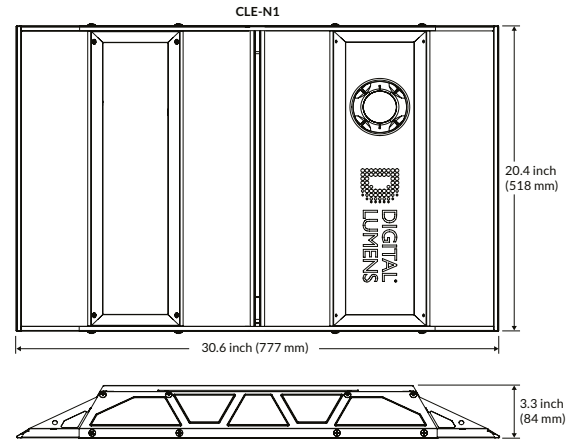
Driver Lifetime

120,000

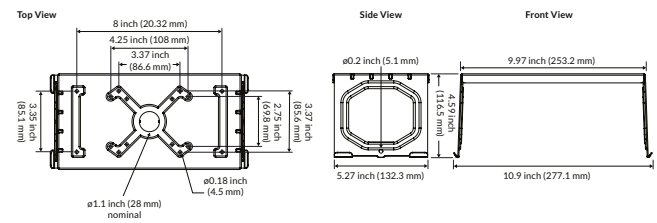
100,000

Dimensions

Luminaire



Fixed Mount/Pendant Bracket



Illuminance at Distance

UL

Aisle Optic

	Center Beam fc	Beam Spread
10 ft	204	26 ft 13 ft
20 ft	51	51 ft 27 ft
30 ft	23	76 ft 40 ft
40 ft	13	102 ft 54 ft
50 ft	8	127 ft 67 ft

Horizontal Vertical

Wide Diffuse Optic

	Center Beam fc	Beam Spread
10 ft	175	26 ft 26 ft
20 ft	44	52 ft 52 ft
30 ft	19	77 ft 78 ft
40 ft	11	103 ft 104 ft
50 ft	7	129 ft 130 ft

Horizontal Vertical

CE

Aisle Optic

	Center Beam fc	Beam Spread
10 ft	209	26 ft 13 ft
20 ft	52	51 ft 27 ft
30 ft	23	76 ft 40 ft
40 ft	13	102 ft 102 ft
50 ft	8	127 ft 67 ft

Horizontal Vertical

Wide Diffuse Optic

	Center Beam fc	Beam Spread
10 ft	179	26 ft 26 ft
20 ft	45	52 ft 52 ft
30 ft	20	77 ft 78 ft
40 ft	11	103 ft 104 ft
50 ft	7	129 ft 130 ft

Horizontal Vertical

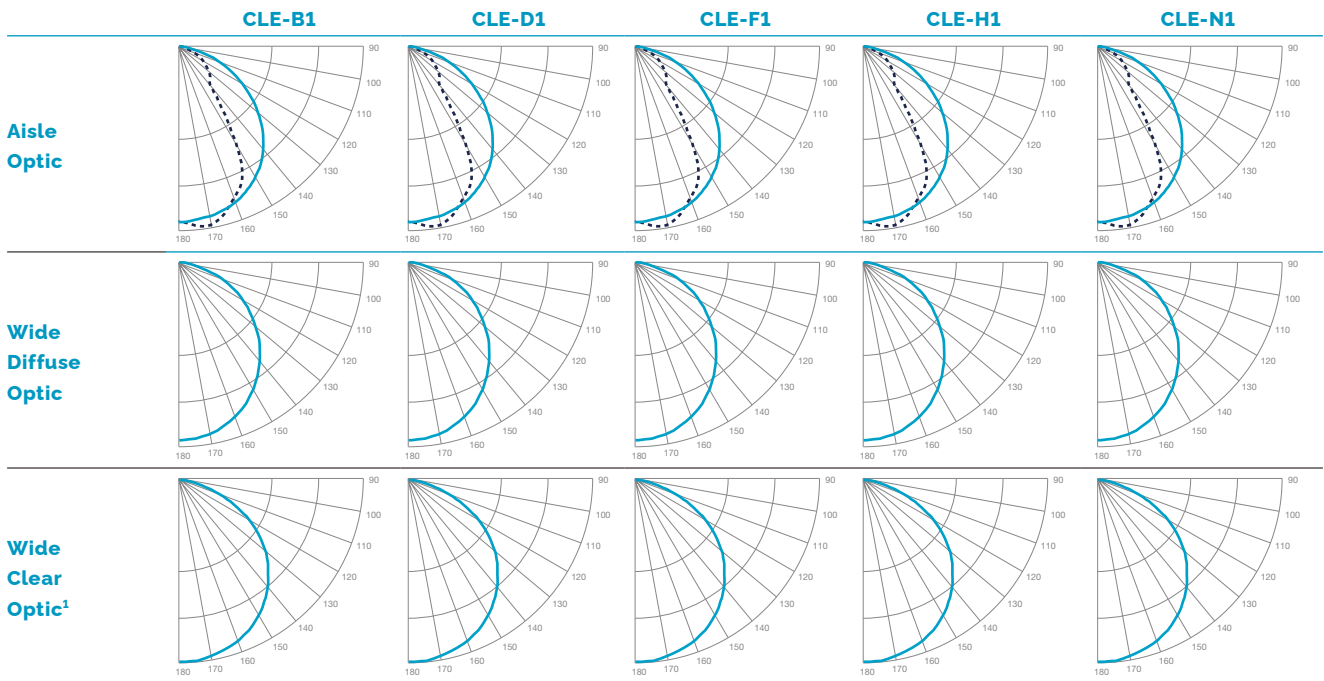
Wide Clear Optic

	Center Beam fc	Beam Spread
10 ft	210	26 ft 26 ft
20 ft	52	52 ft 52 ft
30 ft	23	77 ft 78 ft
40 ft	13	103 ft 104 ft
50 ft	8	129 ft 130 ft

Horizontal Vertical

Polar Candela Distribution

Fixed Axis -----



Luminaire One-for-One Replacement Guide

The tables below list typical legacy lighting variants and the corresponding CLE luminaires suitable for one-for-one replacement.

	Description	CLE Replacement (Open Areas)	CLE Replacement (Aisles)
Linear Fluorescent	4LT8	CLE-B1-D	CLE-B1-A
	6LT8	CLE-B1-D	CLE-B1-A
	4LT5HO	CLE-D1-D	CLE-D1-A
	8LT8	CLE-D1-D	CLE-D1-A
	6LT5HO	CLE-F1-D	CLE-F1-A
	8LT5HO	CLE-F1-D	CLE-F1-A
	10LT5HO	CLE-H1-D	CLE-H1-A
HID	175 W Metal Halide	CLE-B1-D	CLE-B1-A
	250 W Metal Halide	CLE-D1-D	CLE-D1-A
	400 W Metal Halide	CLE-F1-D	CLE-F1-A

Ordering Information

The table below provides guidelines for encoding item numbers when ordering CLE luminaires. Select a luminaire type (lumen output), voltage, optic, and CRI/CCT, and then use the hyphenated character codes to build a part number.

Note: For short/standard lead times, select options in **bold**.

North America

Luminaire	Type	Voltage	Optic	CRI/CCT
CLE	-B1			
	-D1	-ST Standard Voltage, 100 – 277 VAC	-A Aisle	-851 80 CRI / 82 TYP 5,000 K BBDCLE Compatible
	-F1			
	-H1	-HV¹⁰ High Voltage, 347 – 480 VAC	-D Wide Diffuse	-841 80 CRI / 82 TYP 4,000 K BBDCLE Compatible
	-N1			

International

Luminaire	Type	Voltage	Optic	CRI/CCT
CLE	-B1			
	-D1		-A Aisle	-851 80 CRI / 82 TYP 5,000 K BBDCLE Compatible
	-F1	-CE 220 – 240 VAC	-D Wide Diffuse	
	-H1			-841 80 CRI / 82 TYP 4,000 K BBDCLE Compatible
	-N1		-W Wide Clear	

CLE Luminaires & Accessories

CLE-B1

Part Number	Lumens	Power @ 277 VAC	Efficacy
CLE-B1-ST-A-841	10,780	79 W	135 lm/W
CLE-B1-ST-D-841	10,780	78 W	138 lm/W
CLE-B1-ST-A-851	12,010	78 W	154 lm/W
CLE-B1-ST-D-851	11,890	78 W	152 lm/W
CLE-B1-CE-A-841	10,819	78 W	139 lm/W
CLE-B1-CE-D-841	9,274	77 W	121 lm/W
CLE-B1-CE-W-841	10,600	77 W	138 lm/W
CLE-B1-CE-A-851	12,010	78 W	154 lm/W
CLE-B1-CE-D-851	10,610	78 W	137 lm/W
CLE-B1-CE-W-851	12,280	78 W	158 lm/W

CLE-D1

Part Number	Lumens	Power @ 277 VAC	Efficacy
CLE-D1-ST-A-841	15,996	114 W	139 lm/W
CLE-D1-ST-D-841	15,940	114 W	140 lm/W
CLE-D1-ST-A-851	17,540	115 W	153 lm/W
CLE-D1-ST-D-851	17,640	115 W	153 lm/W
CLE-D1-CE-A-841	14,942	114 W	132 lm/W
CLE-D1-CE-D-841	13,490	114 W	119 lm/W
CLE-D1-CE-W-841	15,530	114 W	137 lm/W
CLE-D1-CE-A-851	17,540	114 W	154 lm/W
CLE-D1-CE-D-851	15,690	114 W	138 lm/W
CLE-D1-CE-W-851	18,230	115 W	159 lm/W

CLE-F1

Part Number	Lumens	Power @ 277 VAC	Efficacy
CLE-F1-ST-A-841	18,460	147 W	155 lm/W
CLE-F1-ST-D-841	20,880	149 W	155 lm/W
CLE-F1-ST-A-851	23,220	151 W	154 lm/W
CLE-F1-ST-D-851	23,460	151 W	155 lm/W
CLE-F1-CE-A-841	18,640	147 W	127 lm/W
CLE-F1-CE-D-841	17,620	150 W	118 lm/W
CLE-F1-CE-W-841	20,300	150 W	136 lm/W
CLE-F1-CE-A-851	23,220	150 W	155 lm/W
CLE-F1-CE-D-851	19,730	150 W	132 lm/W
CLE-F1-CE-W-851	22,710	151 W	151 lm/W

CLE-H1

Part Number	Lumens	Power @ 277 VAC	Efficacy
CLE-H1-ST-A-841	30,541	215 W	143 lm/W
CLE-H1-ST-D-841	31,727	216 W	147 lm/W
CLE-H1-ST-A-851	30,703	216 W	143 lm/W
CLE-H1-ST-D-851	31,661	216 W	147 lm/W
CLE-H1-CE-A-841	30,541	215 W	143 lm/W
CLE-H1-CE-D-841	28,655	208 W	138 lm/W
CLE-H1-CE-W-841	32,459	210 W	155 lm/W
CLE-H1-CE-A-851	30,703	216 W	143 lm/W
CLE-H1-CE-D-851	28,929	211 W	138 lm/W
CLE-H1-CE-W-851	32,715	213 W	154 lm/W

CLE-N1

Part Number	Lumens	Power @ 277 VAC	Efficacy
CLE-N1-ST-A-841	44,964	323 W	140 lm/W
CLE-N1-ST-D-841	46,441	323 W	144 lm/W
CLE-N1-ST-A-851	43,219	310 W	140 lm/W
CLE-N1-ST-D-851	45,812	314 W	146 lm/W
CLE-N1-CE-A-841	44,964	323 W	140 lm/W
CLE-N1-CE-D-841	40,827	315 W	130 lm/W
CLE-N1-CE-W-841	46,894	314 W	150 lm/W
CLE-N1-CE-A-851	43,219	310 W	140 lm/W
CLE-N1-CE-D-851	40,716	311 W	131 lm/W
CLE-N1-CE-W-851	45,796	310 W	148 lm/W

Accessories

Part Number	Description
DHHAS	Aircraft Cable Hanging Hardware, 5-pack
CHHRM	Fixed Mount Hanging Hardware, 5-pack
CHHRMN1	Fixed Mount Hanging Hardware for -N1, 4-pack
CLESM ¹¹	PIR Sensor Mask, 10-pack
CLSM1 ¹²	Custom Lens Sensor Mask, 200-pack
DLA-LENS-SHB-5	Digital Light Agent, Super High-Bay Lens, CLE, DLE 5-Pack

Footnotes:

¹ Calculated in nominal application environment.

² Wide Clear optic option available for -CE luminaire variants only.

³ Clean with mild soap and water only. Maintain 10 ft (3 m) setback from walls open to exterior.

⁴ Nominal CCT, as defined by ANSI C78.377-2008.

⁵ Diffuse optic.

⁶ Efficacy values vary with optic option. See DLC QPL for variant details.

⁷ Input ratings may vary for international certifications.

⁸ LEDs are driven below current rated current limit to enhance efficiency and increase lifetime of the LEDs. Drivers are tested at ambient (25°C), 100% continuous duty. Driver design target is always minimum > 50,000 hours at 25°C.

⁹ LM-79, LM-80 tests and reports are performed in accordance to IESNA standards, per TM-21. Lumen maintenance calculated in hours (L70 via TM-21) based on continuous operation.

¹⁰ High-Voltage option available for -D1, -F1, -H1, and -N1 variants only.

¹¹ Luminaires with Wide Diffuse/Wide Clear optics ship without sensor masks.

¹² Custom lens sensor mask available for -ST and -CE variants, revision 13 or greater; also available for -HV variants, revision 1 or greater.

BBDCLE—Battery Backup

Specifications

PERFORMANCE

Input

- 120 – 480 VAC, 100 mA @ 120 VAC

Output

- 20.5 W, 80 – 200 VDC

ENVIRONMENTAL

Runtime

- 90 minutes — UL
- 180 minutes — CE

Operating Temperature

- 32° – 122°F (0° – 50°C) — UL
- 32° – 77°F (0° – 25°C) — CE

PHYSICAL

Battery Type

- NiMH

Dimensions (H x W x D)

- 4.8 x 15.3 x 5.2 inch (123 x 390 x 134 mm)

Weight

- 4.6 lbs (2.1 kg)

WARRANTY

- 5-Year Limited

CERTIFICATIONS & SAFETY

Approbation

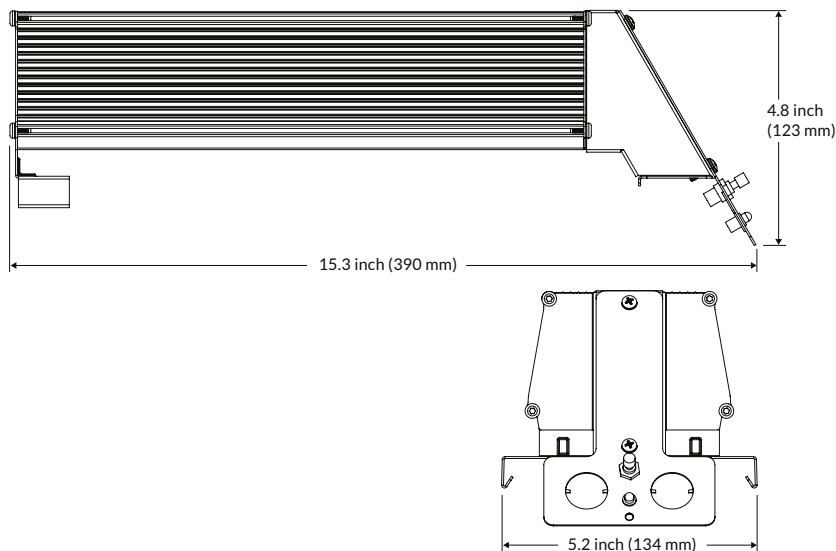
- UL/cUL, CE, FCC

Environmental Suitability

- IP20



Dimensions



Ordering Information

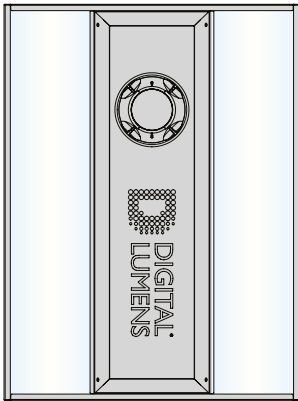
- BBDCLE suitable for CLE luminaires that are BBDCLE-compliant (-841 and -851)
- Output across models remains approximately 4,000 lumens

Battery Backups

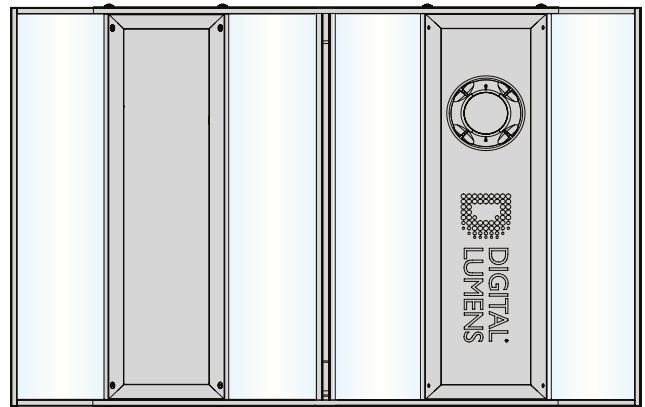
Part Number	Description
BBDCLE-UL	Battery Backup – UL
BBDCLN1-UL	Battery Backup, N1 Luminaire – UL
BBDCLE-CE	Battery Backup – CE
BBDCLN1-CE	Battery Backup, N1 Luminaire – CE

BBDCLE Illumination Area

CLE-B1/D1/F1/H1

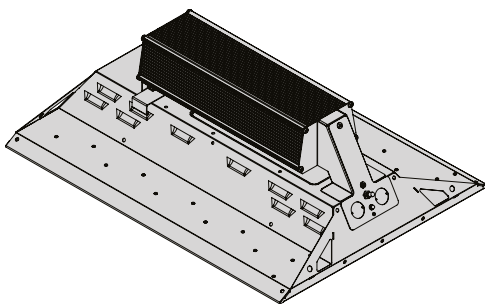


CLE-N1

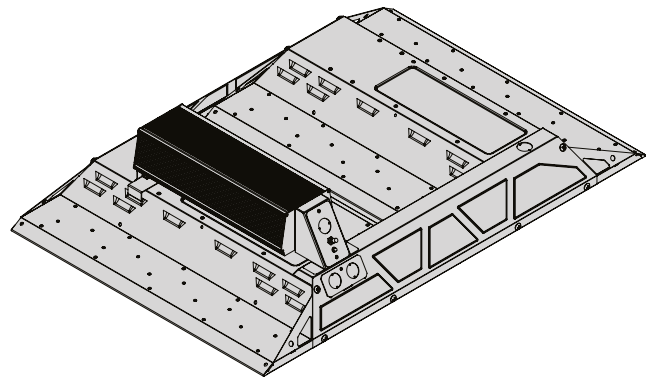


BBDCLE Assembly

CLE-B1/D1/F1/H1

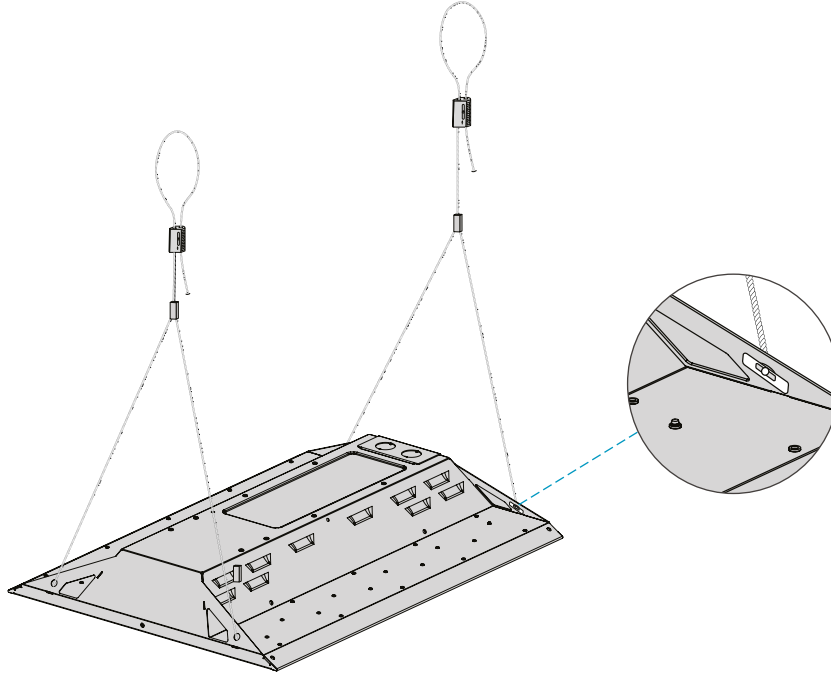


CLE-N1

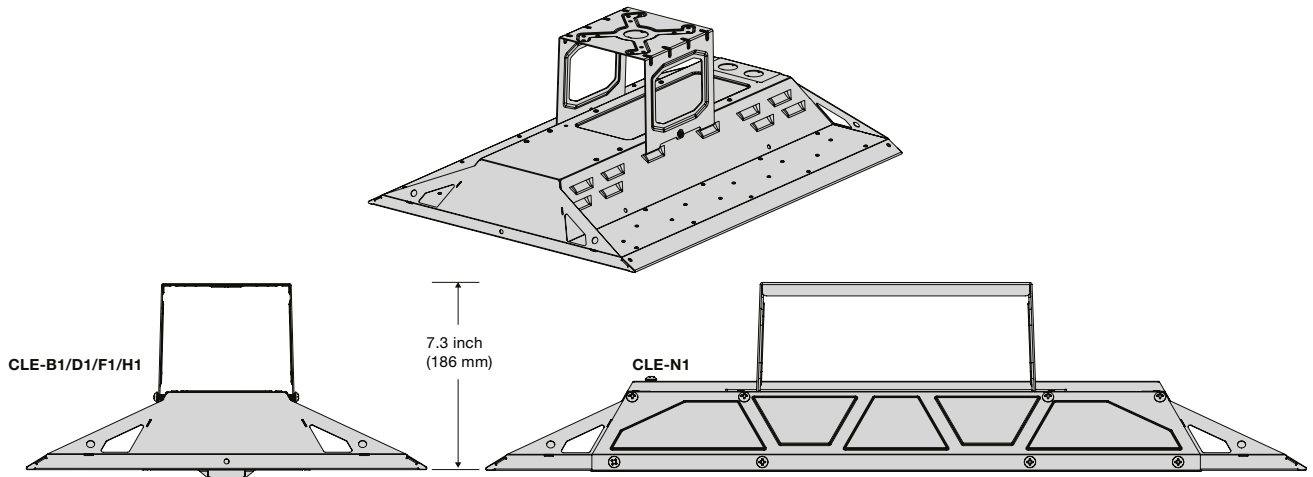


Hanging Hardware

Standard Aircraft Cable



Fixed Mount/Pendant



Copyright © 2021 Digital Lumens, Incorporated. All rights reserved. Digital Lumens, the Digital Lumens logo, We Generate Facility Wellness, SiteWorx, LightRules, Lightelligence, Encelium, the Encelium logo, Polaris, GreenBus and any other trademark, service mark, or tradename (collectively "the Marks") are either trademarks or registered trademarks of Digital Lumens, Inc. in the United States and/or other countries, or remain the property of their respective owners that have granted Digital Lumens, Inc. the right and license to use such Marks and/or are used herein as nominative fair use. Due to continuous improvements and innovations, specifications may change without notice.