

DLA-CA

Smart Circuit Adapter

Date: _____

Quantity: _____

Company: _____

Project: _____

The DLA-CA brings traditional 0-10V dimmable luminaires into the modern world, delivering continuous dimming (on supported drivers) and utility-grade power metering when coupled with any DALI-enabled DLA or SCN.



Key Features & Benefits

- Allows DALI-enabled DLAs and SCNs to interface with circuits of multiple 0-10V luminaires
- Utility-grade integrated power metering for circuits up to 7 Amps when coupled with a DALI-enabled DLA or SCN
- Smooth, continuous dimming (on supported drivers) to a wide-range of 0-10V LED luminaires when coupled with a DALI-enabled DLA or SCN
- Easy mounting into a junction box with a PG-7 (0.5 inch) trade-size knockout
- Suitable for use in a variety of commercial and industrial environments. UL 2043 plenum-rated with small, rugged form factor IP40-rated PC/ABS enclosure, and aluminum enclosure
- Incorporates and extends the SiteWorx wireless mesh network

The SiteWorx® suite of applications and array of smart devices can meter your utilities, monitor your entire facility, and observe critical areas. SiteWorx starts delivering meaningful data and actionable insights right out of the box. Now you can make data-informed decisions, spot hidden problems, and take immediate action. All while keeping your people safe and productive and your operation efficient and sustainable.

SiteWorx Tune is an intelligent lighting control application that uses smart sensors and advanced cloud-based software to maximize energy savings, improve productivity, and maintain safe, comfortable light levels. It brings new control and savings to your lighting infrastructure. With SiteWorx Tune, you can stay informed via the Savings dashboard, which displays real-time energy usage and savings data.

SiteWorx products are designed and manufactured to satisfy the highest quality standards of customers worldwide. Our products deliver performance, reliability, and long life and are supported by a global network of partners and product specialists.

SiteWorx



Specifications

ELECTRICAL

Input Voltage

- 100 to 277 VAC, 50/60 Hz

Power Consumption

- 0.5 W

Maximum Luminaire Current (Switched AC)

- 7 A

Power and Control Wires

- Mains
 - Black: AC Switched Line
 - White: AC Neutral
 - Green: Ground
- Low-Voltage^{1,2}
 - Purple 0-10 VDC+ Dimming
 - Pink: 0-10 VDC- Dimming
- Digital Control^{1,2}
 - Yellow: DALI- Signal
 - Yellow/White: DALI+ Signal
 - Black: DC- Auxiliary Power
 - Red: DC+ Auxiliary Power

Surge Rating

- Per IEC 60730
- 1 kV line-line / 2 kV line-earth

ENVIRONMENTAL

Operating Temperature

- -30° to 50°C (-22° to 122°F)

Operating Humidity

- 0% to 95%, non-condensing

PHYSICAL

Enclosure

- PC/ABS Polymer, Aluminum

Dimensions (H x W x D)

- 41 x 104 x 108 mm (1.8 x 4.1 x 4.2 inches)

Weight

- 220 g (7.6 oz)

Mounting Method

- Junction Box (hardware supplied by installer)

Mounting Hole Diameter

- PG-7 (0.5 inch) trade-size knockout

WARRANTY

- 5-Year Limited

CERTIFICATIONS & SAFETY

Approbations

- UL/cUL, UL-NOM, CE, FCC Part 15, RoHS



Ordering Information

Part Number

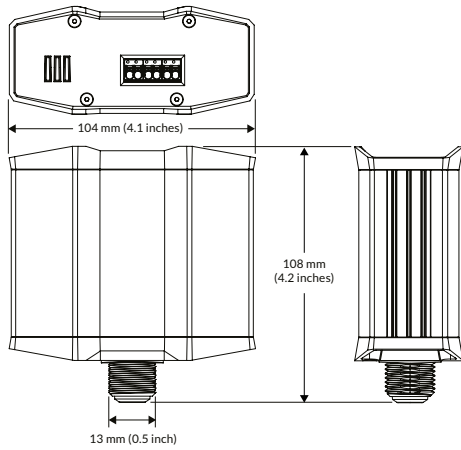
DLA-CA

Footnotes:

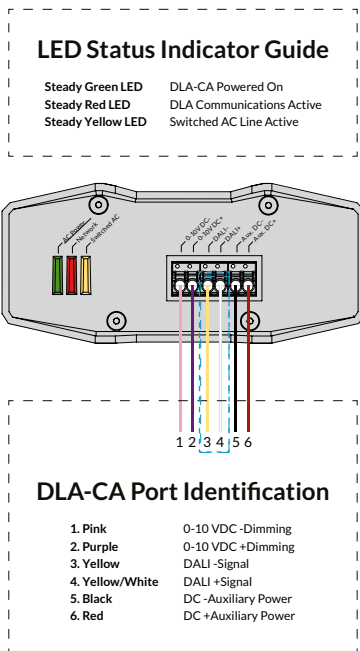
¹ 0-10V, DALI, and DC Aux connections are SELV.

² Use 18-22 AWG wire for wiring into low-voltage and digital connectors.

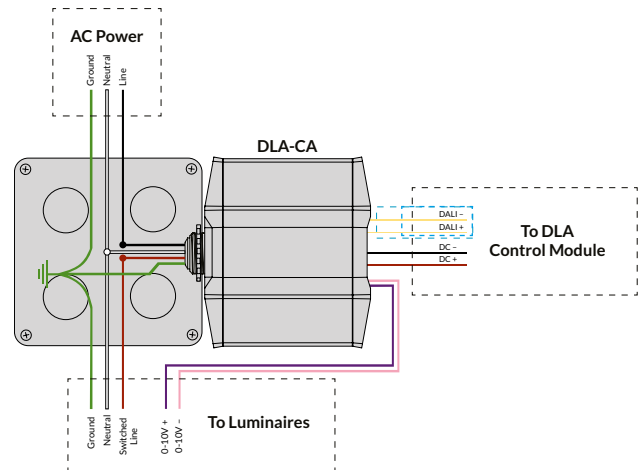
Dimensions



Connection Terminal Diagrams



DLA Control Modules with and without Auxiliary Power Inputs



NOTES:
Newer Versions use 2-Wires (Dotted blue line)
Older Versions use 4-Wires (Dotted black line)
See Installation Instructions for additional wiring methods.

