

DLA-M-E

Micro Digital Lightelligence Agent Sensor

Date: _____

Quantity: _____

Company: _____

Project: _____



The Digital Lumens Digital Lightelligence Agents (DLAs) are adaptive lighting controls that make luminaires, from a range of manufacturers, intelligent.

The **DLA-M-E** brings wireless sensing and control, and compatibility with the SiteWorx suite of applications, to third-party luminaires via an unobtrusive and easily mounted form factor.

SiteWorx Application

- SiteWorx Tune



Key Features & Benefits

- Brings the power of Lightelligence® to third-party luminaires using smart DALI control
- Continuous dimming (on supported drivers) and utility-grade power metering
- Simple, enhanced DALI wiring that doesn't require a separate power supply (on supported drivers)
- Enhanced micro-lens allows for mounting up to 6.1 m (20 ft) above finished floor
- Small, unobtrusive form factor and simple mounting methods make the DLA-M-E perfect for commercial environments
- Enables SiteWorx® Tune application to optimize your lighting and reduce energy use
- Incorporates Lightelligence, the Digital Lumens core technology that ensures openness, connectivity, scalability, and security

Specifications

SENSING AND CONTROL

Lighting Control Insights

- Enables wireless sensing and control of third-party luminaires

Sensing

- Integrated Passive Infrared (PIR) Sensor for occupancy detection. Occupancy information is collected and movement is detected within the sensor coverage area. The sensor cannot detect or report any Personality Identifiable Information (PII)
- Integrated Photocell Sensor for daylight harvesting strategies to raise or lower light output based on available daylight

Lighting Control

- Provides On/Off and precise 0% to 100% dimming for third-party 0-10V luminaires
- Fully enables SiteWorx Tune lighting control capabilities, including task tuning, daylight harvesting, scheduled and automatic setback, and coordinated control

Network Communication

- Lightelligence Wireless Mesh Network IEEE 802.15.4 enabling communication with Digital Lumens Smart Devices

Technology Platform

- Incorporates **Lightelligence**[®], the Digital Lumens core technology that ensures openness, connectivity, scalability, and security

PERFORMANCE

Device Limit

- Up to (4x) DLA-FA or DLA-CA adapters, or (16x) DALI¹, SR², or DEXAL² drivers

ELECTRICAL

Input Voltage

- 12 to 24 VDC, DALI bus powered (SELV)

Power Consumption

- 0.3 W

Control Wires

- Yellow/White: DALI +
- Yellow: DALI -

ENVIRONMENTAL

Operating Temperature

- -30° to 50°C (-22° to 122°F)

Operating Humidity

- 0% to 95%, non-condensing

PHYSICAL

Enclosure

- PC/ABS Polymer

Dimensions (H x W x D)

- 23.7 x 33.3 mm (0.93 x 1.31 inches)

Weight

- 14 g (0.5 oz)

Mounting Options

- Drop Ceiling Mount (pre-installed with self-retaining clip)
- Luminaire Mount (pre-installed with self-retaining clip)
- Surface Mount (via adhesive)

Surface-Mount Hole Diameter

- PG-7 (0.5 inch) trade-size knockout (2.5 mm (0.1 inch) maximum panel thickness)

Mounting Height

- Up to 6.1 m (20 ft)

WARRANTY

- 5-Year Limited

CERTIFICATIONS & SAFETY

Approbations

- UL/cUL, CE, UKCA, FCC Part 15 Class B, CISPR 22

Environmental Suitability

- IP50

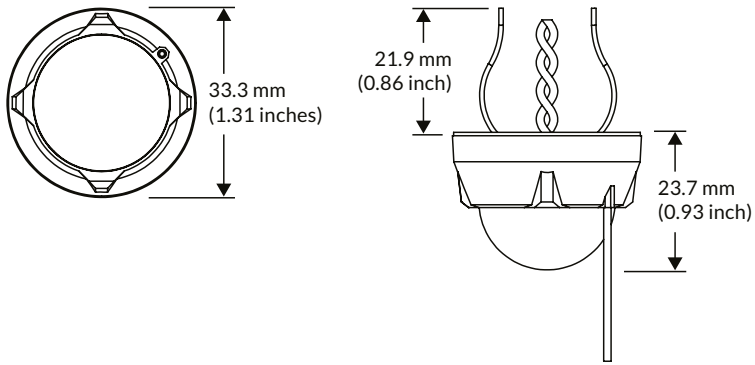


Footnotes:

¹ DALI drivers require a separate DALI power supply in order to power the DLA.

² With SR and DEXAL drivers, to prevent damaging the DLA, ensure that no more than (1x) driver has the power bus enabled.

Dimensions



Ordering Information

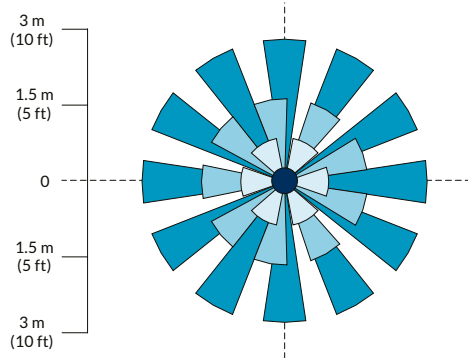
Part Number

DLA-M-E

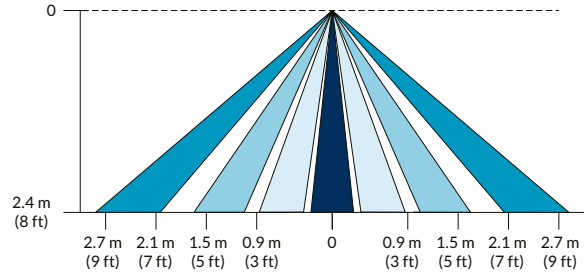
Sensor Coverage

Standard Optic

Top View

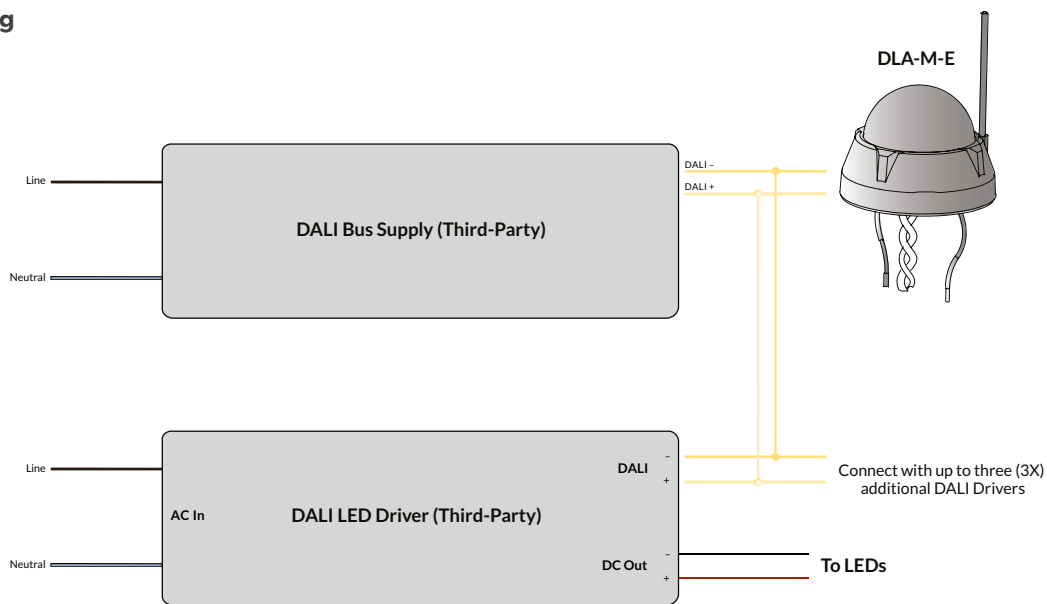


Side View



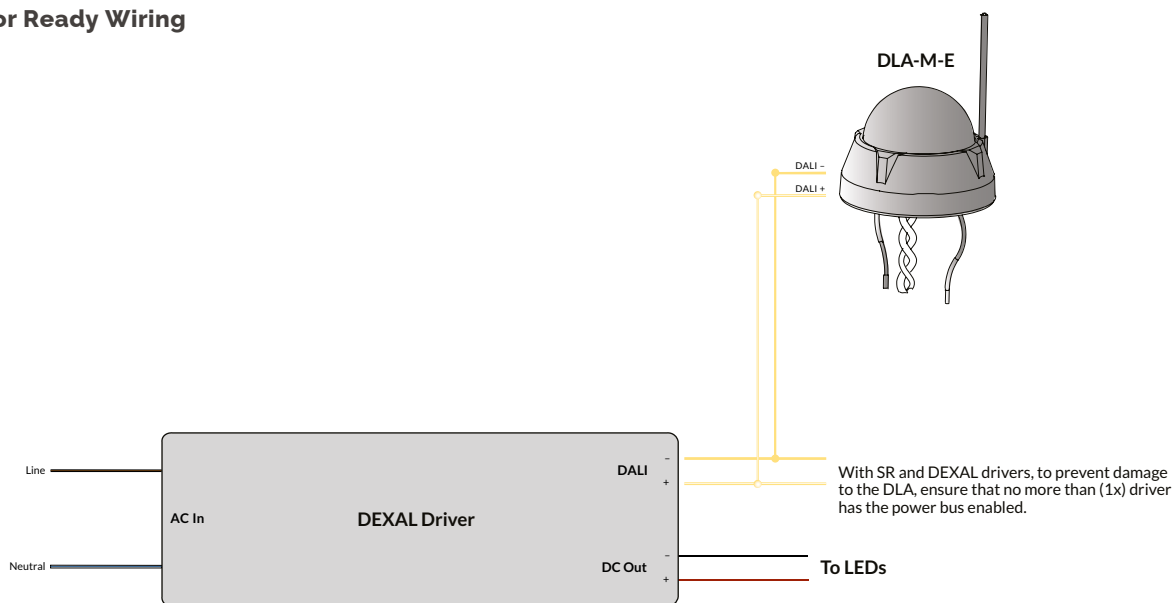
Wiring Diagrams

DALI Wiring



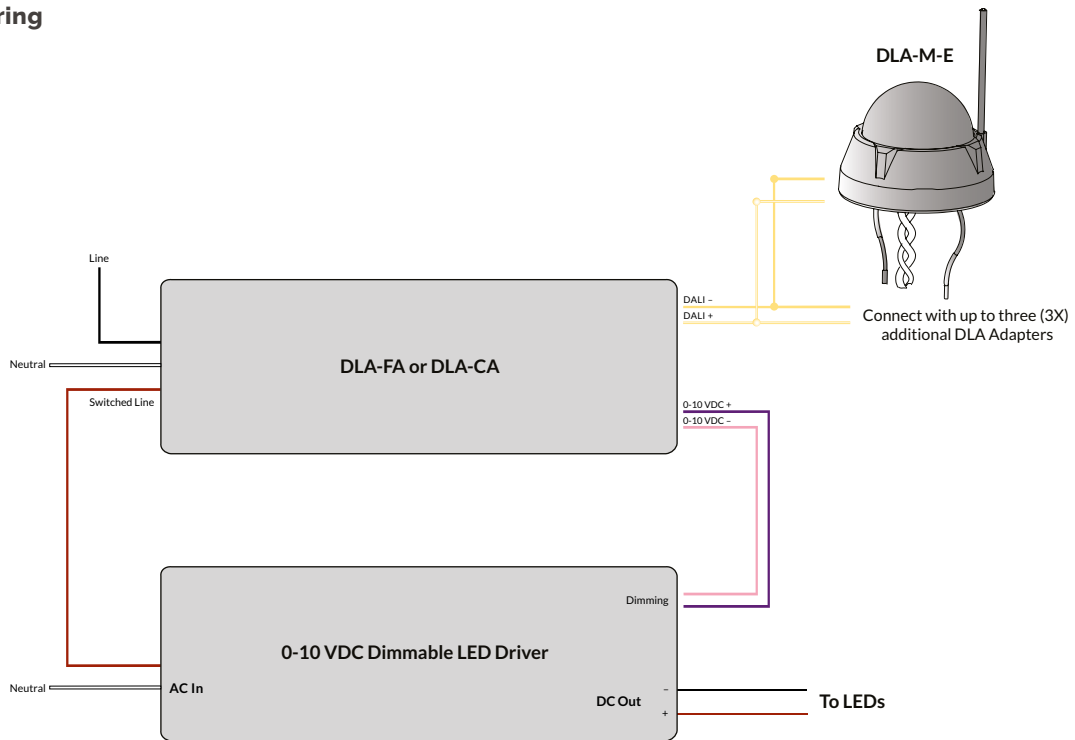
NOTE: See Installation Instructions for additional wiring methods.

Sensor Ready Wiring



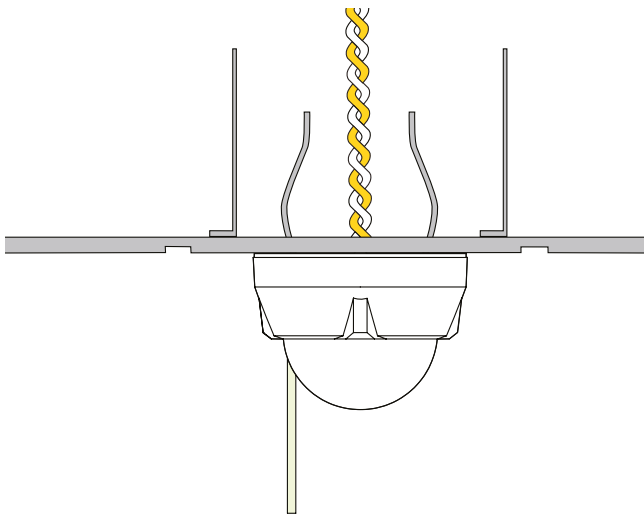
Wiring Diagrams (cont.)

0-10V Wiring

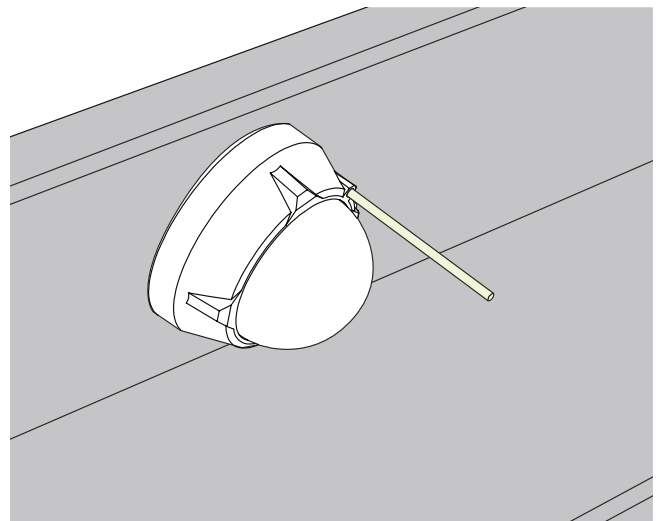


Mounting Options

Drop Ceiling Mount

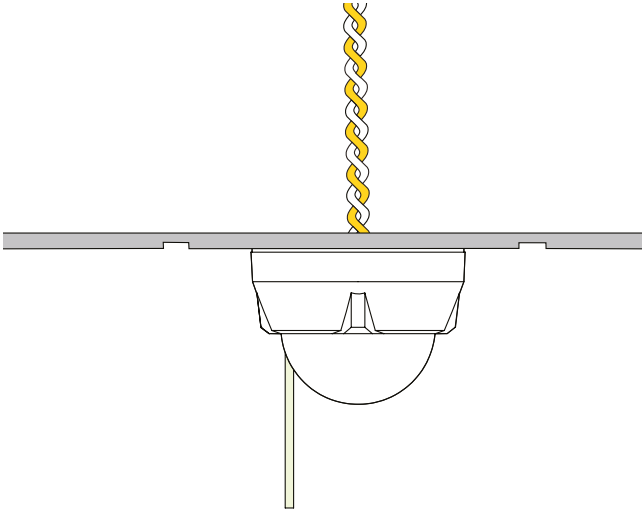


Luminaire Mount



Mounting Options (cont.)

Surface Mount



Copyright © 2023 Digital Lumens, Incorporated. All rights reserved.

Digital Lumens, the Digital Lumens logo, We Generate Facility Wellness, SiteWorx, LightRules, and Lightelligence, and any other trademark, service mark, or tradename (collectively "the Marks") are either trademarks or registered trademarks of Digital Lumens, Inc. in the United States and/or other countries, or remain the property of their respective owners that have granted Digital Lumens, Inc. the right and license to use such Marks and/or are used herein as nominative fair use. Due to continuous improvements and innovations, specifications may change without notice.

DOC-001516-00 Rev F 12-22