

DLA-V

0-10V Rugged Digital Light Agent

Date: _____

Quantity: _____

Company: _____

Project: _____

Designed to be integrated directly into third-party luminaires, junction boxes, or pole mounts.

The DLA-V transforms standard 0-10V dimmable luminaires from a range of manufacturers — making them intelligent.



Key Features & Benefits

- Brings the power of SiteWorx® directly into third-party luminaires that use 0-10V drivers
- Continuous dimming (on supported drivers) and utility-grade switched-line power metering (up to the rated amperage)
- All-in-One support for 0-10V luminaires in two form factors, with simple integration using a standard PG-7 (0.5 inch) trade-size knockout
- Sensor performance up to 30 m (100 ft) with optional super high-bay lens
- IP66 and NSF rated, the DLA-V is designed for the most demanding industrial environments
- Incorporates and extends the SiteWorx wireless mesh network

The SiteWorx® suite of applications and array of smart devices can meter your utilities, monitor your entire facility, and observe critical areas. SiteWorx starts delivering meaningful data and actionable insights right out of the box. Now you can make data-informed decisions, spot hidden problems, and take immediate action. All while keeping your people safe and productive and your operation efficient and sustainable.

SiteWorx Tune is an intelligent lighting control application that uses smart sensors and advanced cloud-based software to maximize energy savings, improve productivity, and maintain safe, comfortable light levels. It brings new control and savings to your lighting infrastructure. With SiteWorx Tune, you can stay informed via the Savings dashboard, which displays real-time energy usage and savings data.

SiteWorx products are designed and manufactured to satisfy the highest quality standards of customers worldwide. Our products deliver performance, reliability, and long life and are supported by a global network of partners and product specialists.

Specifications

SENSING AND CONTROL

Wireless Networking

- IEEE 802.15.4
- 2.4 GHz Band

Connected IoT Platform

- SiteWorx Facility Insights Application Suite

Onboard Intelligence

- Distributed sensing and control
- Facility usage data-logging

Sensor Capabilities

- Occupancy sensing (PIR)
- Integrated daylight sensor
- Integrated power monitoring

Dimming Interface

- Dim range based on driver
- 0-10V dimming

0-10V Device Limit

- (3x) 0-10V drivers, refer to Load/Relay Rating

ELECTRICAL

Input Voltage

- 120 to 480 VAC

Load/Relay Rating

- 3.5 A @ 120 VAC
- 1.5 A @ 277 VAC
- 1.2 A @ 347 VAC
- 0.8 A @ 480 VAC

Power Consumption

- 1 W Active
- 0.5 W Standby

Power Wires

- Brown: Line
- Blue: Neutral
- Red: Switched Line

Dimming Wires

- Purple/Pink: 0-10V, 50 mA sinking only

Surge Rating

- 4 kV line-neutral per IEC 60730

ENVIRONMENTAL

Operating Temperature

- -20° to 50°C (-4° to 122°F)

Operating Humidity

- 0% to 95% non-condensing

PHYSICAL

Enclosure

- Sabic - Valox™

Dimensions (H x W x D)

- 65 x 97 x 106 mm (2.53 x 3.82 x 4.18 inches) — DLA-V

Weight

- 286 g (10.2 oz) — DLA-V

Mounting Hole Diameter

- PG-7 (0.5 inch) trade-size knockout

Mounting Height

- Up to 10.6 m (35 ft)

WARRANTY

- 5-Year Limited

CERTIFICATIONS & SAFETY

Approbations

- UL/cUL 60730-1, UL-NOM, CE, CFR 47 FCC Part 15 Subpart B, CSA E60730-1, NSF

Environmental Suitability

- IP66, UL Wet Location, NSF/ANSI Standard 2 – Food Equipment

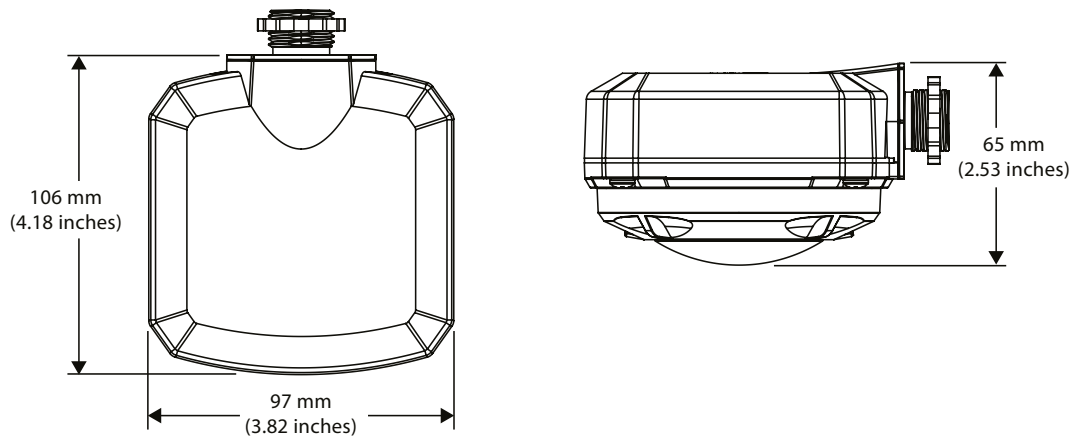


Ordering Information

Part Number	Description
DLA-V-00-H	0-10V, High Bay

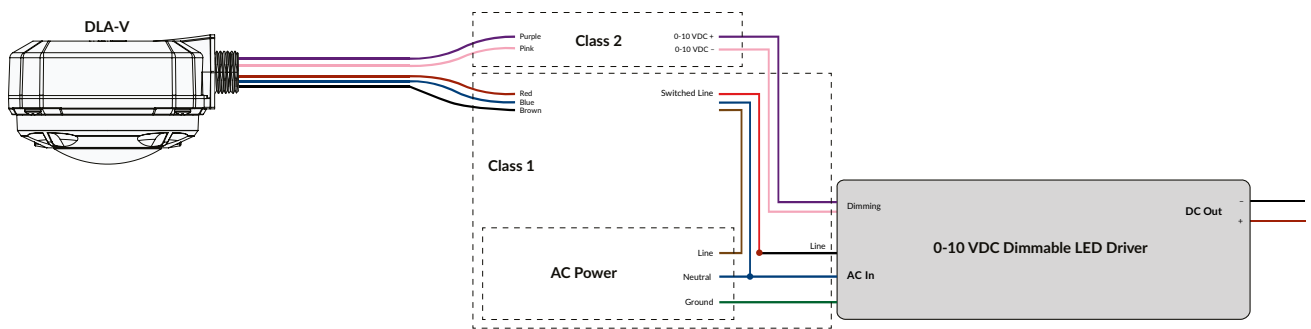
Dimensions

DLA-V



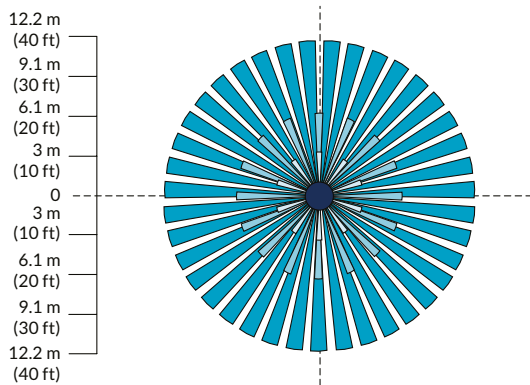
Wiring Diagram

0-10V Wiring



Sensor Coverage

Top View



Side View

