

# DLGW3

## Wireless Network Gateway

Date: \_\_\_\_\_

Quantity: \_\_\_\_\_

Company: \_\_\_\_\_

Project: \_\_\_\_\_



The **DLGW3** Wireless Network Gateway provides simple and secure communication between Smart Devices and the SiteWorx® Facility Insights Application Suite, enabling data acquisition and providing insights and actions — improving facility efficiency and energy savings.

### SiteWorx Applications

- SiteWorx Sense
- SiteWorx Area
- SiteWorx Tune

### Key Features & Benefits

- PoE (Power over Ethernet) device, eliminating the need for power service installation
- An external AC/DC power supply can be used when PoE functionality is not available
- Suitable for demanding commercial and industrial environments
- Versatile mounting options including ceilings, walls, and other structures
- Enables communication between Smart Devices and the SiteWorx Facility Insights Application Suite
- Incorporates and extends the SiteWorx wireless mesh network

## Specifications

---

### SENSING, CONTROL, AND SECURITY

#### Smart Device Integration

- Receives and transmits data from smart devices to the SiteWorx Facility Insights Application Suite

#### Scalable Control

- Fully enables communication between smart devices and SiteWorx Facility Insights Application Suite

#### Network Communication

- SiteWorx Wireless Mesh Network IEEE 802.15.4 enabling communication with SiteWorx Smart Devices
- 10/100 Ethernet Network Interface

#### Technology Platform

- Incorporates and extends the SiteWorx wireless mesh network

### ELECTRICAL

#### Power Source

- 13 W maximum PoE (Power over Ethernet)
- Optional AC/DC power supply (ordered separately), 12 to 48 VDC, 3 W maximum<sup>1</sup>

#### Electrical Protection

- Integrated Surge, ESD Protector

#### Connection Ports

- RJ45 PoE
- Push-in DC power input

#### LED Indicators<sup>2</sup>

- Health
- System
- Network
- Mode

### ENVIRONMENTAL

#### Operating Temperature

- -40° to 50°C (-40° to 122°F)

#### Storage Temperature

- -40° to 50°C (-40° to 122°F)

#### Operating Humidity

- 0% to 95%, non-condensing

### PHYSICAL

#### Enclosure

- PC

#### Dimensions (H x W x D)

- 33 x 168 x 119 mm (1.3 x 6.6 x 4.7 inches)

#### Weight

- 255 g (9 oz)

#### Mounting Options

- Ceiling (Horizontal) Mount
- Wall (Vertical) Mount

#### Mounting Hole Diameter

- 6.1 mm (0.24 inch)

#### Mounting Hole Spacing

- 152 mm (6 inches) center-to-center

#### Radio Antenna

- External swivel, RP-SMA

### WARRANTY

- 5-Year Limited

### CERTIFICATIONS & SAFETY

#### Approbations

- FCC Part 15 Class A

#### Environmental Suitability

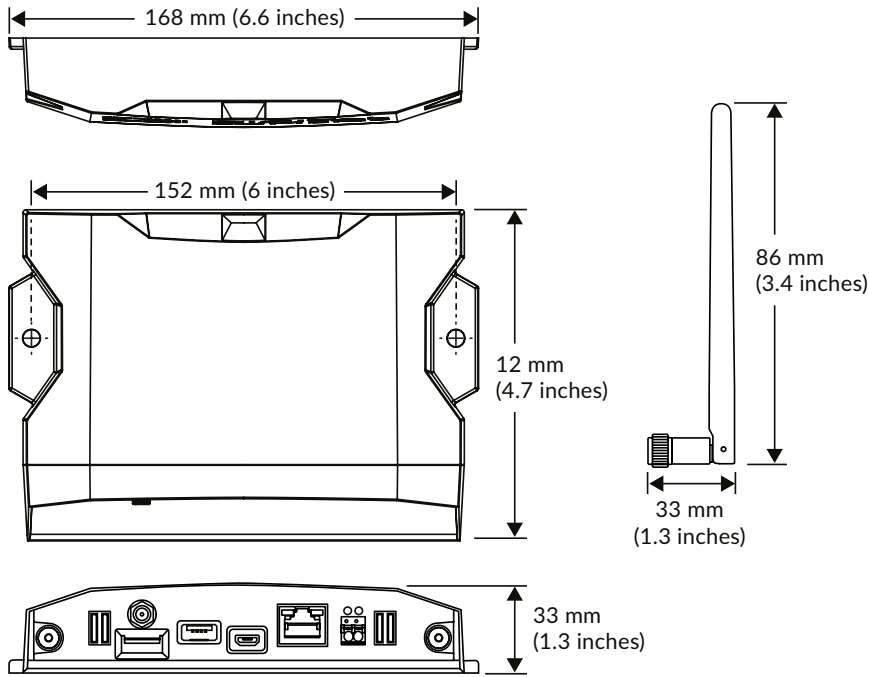
- IP51<sup>3</sup>



Footnotes: <sup>1</sup> UL-listed low-voltage power supply for UL installations.  
<sup>3</sup> When mounted properly, as per Installation Instructions.

<sup>2</sup> For LED Indicator Status details, see the DLGW3 Installation Instructions.

## Dimensions

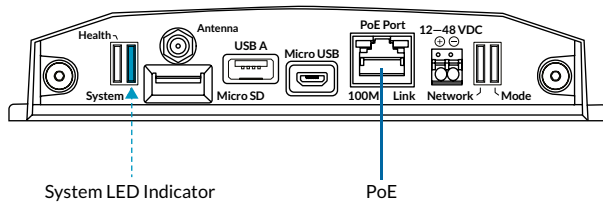


## Ordering Information

Part Number	Description
DLGW3	Wireless Network Gateway for SiteWorx

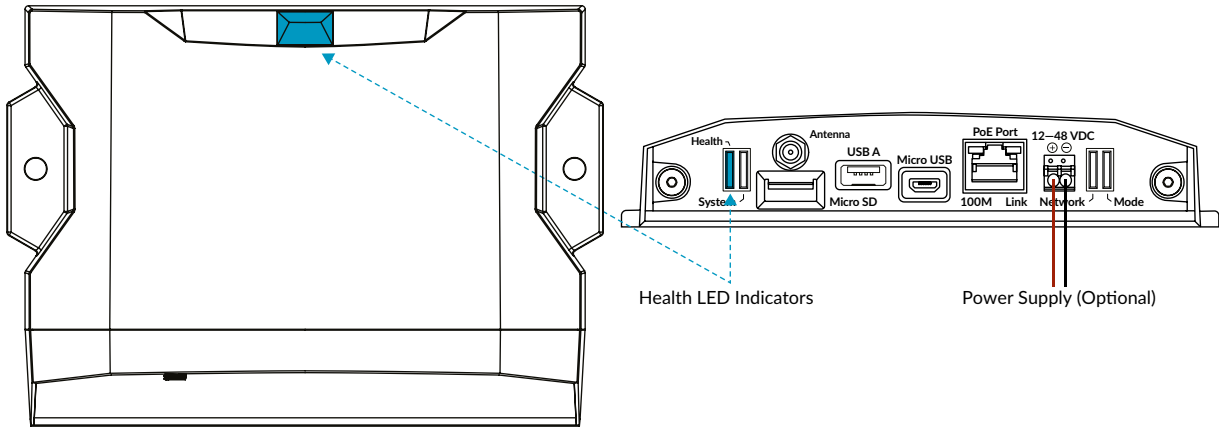
## Wiring Diagrams

### PoE Port



## Wiring Diagrams (cont.)

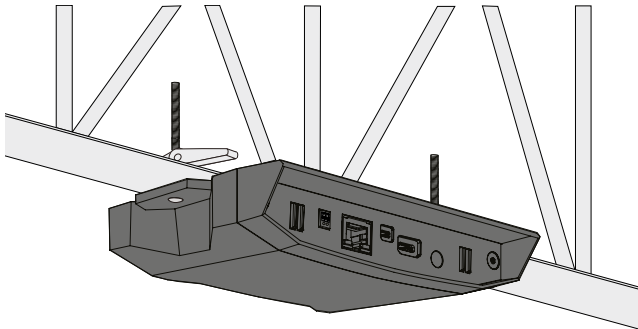
### AC/DC Power Supply (Optional)



## Mounting Options

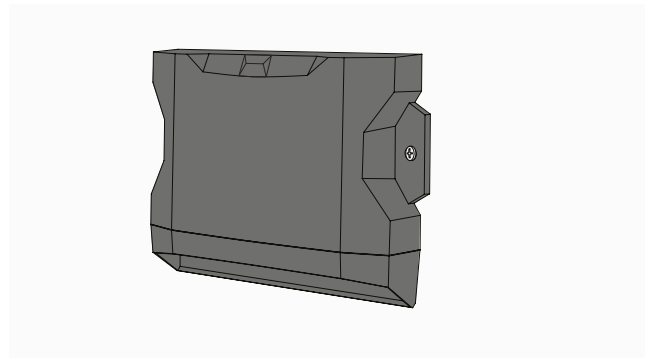
### Ceiling (Horizontal) Mount

Mounting hardware is not included.



### Wall (Vertical) Mount

Mounting hardware is not included.



Copyright © 2023 SiteWorx Software USA, LLC.

All rights reserved. SiteWorx, the SiteWorx logo, We Generate Facility Wellness, LightRules, and any other trademark, service mark, or tradename (collectively "the Marks") are either trademarks or registered trademarks of SiteWorx Software USA, LLC in the United States and/or other countries, or remain the property of their respective owners that have granted SiteWorx Software USA, LLC the right and license to use such Marks and/or are used herein as nominative fair use. Due to continuous improvements and innovations, specifications may change without notice.

DOC-000401-00 Rev K 12-23