

SWN-KPD

Lighting Control Keypad

Date: _____

Quantity: _____

Company: _____

Project: _____

The SWN-KPD Lighting Control Keypad is a wireless, intelligent user-configurable keypad that allows for locally controlled lighting management.

The SWN-KPD keypad provides familiar push-button lighting control with direct communication to SiteWorx Tune advanced lighting control application.



Key Features & Benefits

- Line powered with wireless communication for easy installation into any standard electrical box
- 4 programmable buttons that can enable or disable highly-customizable lighting scenes
- Includes vacancy, bi-level dimming, manual On/Off, automatic full off, and scene controls when used with SiteWorx Tune advanced lighting control application
- Enables compliance with local codes such as CA Title 24, Part 6
- Incorporates and extends the SiteWorx wireless mesh network

The SiteWorx® suite of applications and array of smart devices can meter your utilities, monitor your entire facility, and observe critical areas. SiteWorx starts delivering meaningful data and actionable insights right out of the box. Now you can make data-informed decisions, spot hidden problems, and take immediate action. All while keeping your people safe and productive and your operation efficient and sustainable.

SiteWorx Tune is an intelligent lighting control application that uses smart sensors and advanced cloud-based software to maximize energy savings, improve productivity, and maintain safe, comfortable light levels. It brings new control and savings to your lighting infrastructure. With SiteWorx Tune, you can stay informed via the Savings dashboard, which displays real-time energy usage and savings data.

SiteWorx products are designed and manufactured to satisfy the highest quality standards of customers worldwide. Our products deliver performance, reliability, and long life and are supported by a global network of partners and product specialists.

Specifications

SENSING AND CONTROL

Wireless Networking

- IEEE 802.15.4 compliant
- 2.4 GHz Band

Connected IoT Platform

- SiteWorx Facility Insights Application Suite

Onboard Intelligence

- (4x) user-configurable push-buttons

ELECTRICAL

Input Voltage

- 120 to 277 VAC, 50/60 Hz 40 mA

Power Consumption

- <0.5 W Standby

Power Wires

- 16 AWG flying leads

ENVIRONMENTAL

Operating Temperature

- 0° to 50°C (32° to 122°F)

Operating Humidity

- 0% to 95%, non-condensing, for indoor use only

PHYSICAL

Dimensions (H x W x D)

- Without Wall Plate
45 x 112 x 47 mm (1.8 x 4.4 x 1.9 inches)
- With Wallplate
70 x 117 x 47 mm (2.8 x 4.6 x 1.9 inches)

Weight

- 90 g (3.15 oz)

WARRANTY

- 5-Year Limited

CERTIFICATIONS & SAFETY

Approbations

- UL/cUL, UL-NOM, FCC Part 15 Class B, E148771, CSA, Title 24, ASHRAE 90.1-2016, IECC

Environmental Suitability

- IP30

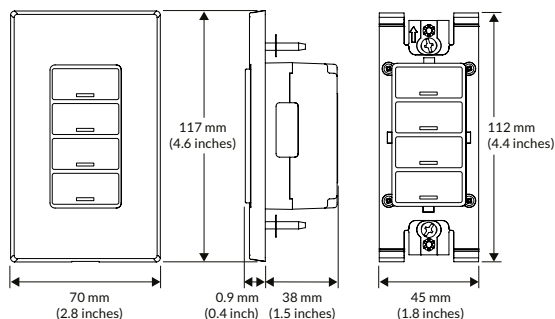


Ordering Information

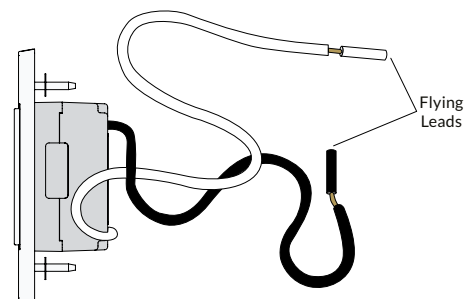
Part Number

SWN-KPD-ST

Dimensions



Power Connection Installation



Copyright © 2023 SiteWorx Software USA, LLC.

All rights reserved. SiteWorx, the SiteWorx logo, We Generate Facility Wellness, LightRules, and any other trademark, service mark, or tradename (collectively "the Marks") are either trademarks or registered trademarks of SiteWorx Software USA, LLC in the United States and/or other countries, or remain the property of their respective owners that have granted SiteWorx Software USA, LLC the right and license to use such Marks and/or are used herein as nominative fair use. Due to continuous improvements and innovations, specifications may change without notice.

DOC-004016-00 Rev F 11-23