

SWN-TRH

Wireless Temperature and Relative Humidity Sensor

Date: _____

Quantity: _____

Company: _____

Project: _____

The SWN-TRH is a wireless environmental monitoring sensor that collects temperature and relative humidity data. It is designed to be deployed with the SiteWorx Sense application to deliver powerful reporting, alerts, and actionable intelligence.



Key Features & Benefits

- Monitor facilities and optimize processes through a real-time stream of actionable environmental data, monitoring, and alerts
- Dramatically reduce installation and reporting time by automating auditable, secure, and unalterable record storage and reporting
- Adjustable collection rates from 1 minute to 1 hour for better data granularity
- Utilize SiteWorx[®] Sense Alarm capabilities to notify key personnel via email or SMS when your facility deviates from optimal temperature or relative humidity
- Incorporates and extends the SiteWorx wireless mesh network

Facility-Wide Insight

SiteWorx[®] Sense and SiteWorx-enabled smart sensors empower facility managers to automate and centralize critical environmental and process data, gain insight into previously invisible areas, apply data trends to minimize loss and leakage, identify predictive maintenance opportunities, and implement activity-based costing.

SiteWorx Sense provides immediate access to customizable alerts, advanced controls, and comprehensive, cloud-based reporting accessible via web and mobile applications.

Instrument for the IIoT

With Digital Light Agent (DLA) lighting controls, your facility is immediately instrumented with SiteWorx, an easily expandable Industrial IoT solution that enables rapid deployment of additional sensor-based applications that extend beyond lighting to deliver even greater operational insight and create new value streams.

Quality and Reliability

SiteWorx products are designed and manufactured to satisfy the highest standards of customers worldwide and deliver performance, reliability, and long life.

Specifications

SENSING AND CONTROL

Onboard Intelligence

- Temperature and Relative Humidity measurements
- Data logging
- Alerting via SiteWorx Sense

Wireless Networking

- IEEE 802.15.4
- 2.4 GHz Band

Connected IoT Platform

- SiteWorx Sense

PERFORMANCE

Sample Interval

- 1 to 5 minute (5 minute default)

Humidity Range

- 0% to 100%

Humidity Accuracy

- $\pm 3\%$

Temperature Range

- -40° to 60° C (-40° to 140° F)

Temperature Accuracy

- $\pm 0.5^{\circ}$ C ($\pm 1.8^{\circ}$ F)

ENVIRONMENTAL

Operating Temperature

- -40° to 60° C (-40° to 140° F)

Operating Humidity

- 0% to 100%

PHYSICAL

Enclosure

- PC/PBT Plastic

Dimensions (H x W x D)

- 88 x 54 x 28 mm (3.5 x 2.1 x 1.1 inches)

Weight

- 222 g (7.8 oz)

Mounting Hole Diameter

- 5.3 mm (0.21 inch)

Mounting Hole Spacing

- (2x) centerline; 78 mm (3.1 inches) apart

Battery Type

- (2x) LI-CR123A

Battery Life

- 5-Years

WARRANTY

- 5-Year Limited

CERTIFICATIONS & SAFETY

Approbations

- FCC Part 15 Class B, CE, NSF Splash Zone

Environmental Suitability

- IP65

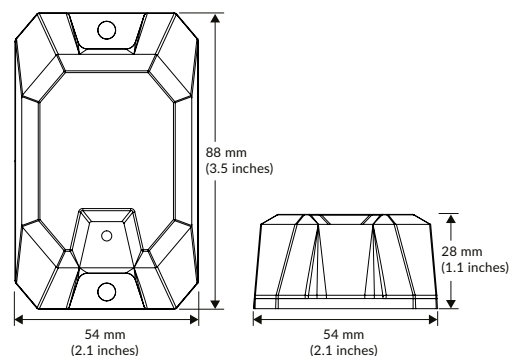


Ordering Information

Part Number

SWN-TRH-GP

Dimensions



Copyright © 2023 SiteWorx Software USA, LLC.

All rights reserved. SiteWorx, the SiteWorx logo, We Generate Facility Wellness, LightRules, and any other trademark, service mark, or tradename (collectively "the Marks") are either trademarks or registered trademarks of SiteWorx Software USA, LLC in the United States and/or other countries, or remain the property of their respective owners that have granted SiteWorx Software USA, LLC the right and license to use such Marks and/or are used herein as nominative fair use. Due to continuous improvements and innovations, specifications may change without notice.

DOC-004009-00 Rev F 12-23