

# TLX

## Intelligent LED Troffer Luminaire

Date: \_\_\_\_\_

Quantity: \_\_\_\_\_

Company: \_\_\_\_\_

Project: \_\_\_\_\_

The TLX troffer luminaire family offers unparalleled performance and reliability across a broad range of commercial applications.

The TLX features modern styling for high visual impact.

For use with indoor applications where low-glare, high-quality, and ease of installation are required.



### Key Features & Benefits

- Light output from 3,225 to 6,860 lumens and efficacy up to 144 lumens per watt
- Round, Diffuse, and Square P95 optic options
- T-Bar mountable, for use in insulated ceilings
- Available in 2 x 2 and 2 x 4 configurations
- Incorporates Lightelligence®, the Digital Lumens core technology that ensures openness, connectivity, and scalability

Digital Lumens' suite of SiteWorx® applications and an array of smart devices can meter your utilities, monitor your entire facility, and observe critical areas. SiteWorx starts delivering meaningful data and actionable insights right out of the box. Now you can make data-informed decisions, spot hidden problems, and take immediate action. All while keeping your people safe and productive and your operation efficient and sustainable.

SiteWorx Tune is an intelligent lighting control application that uses smart sensors and advanced cloud-based software to maximize energy savings, improve productivity, and maintain safe, comfortable light levels. It brings new control and savings to your lighting infrastructure. With SiteWorx Tune, you can stay informed via the Savings dashboard, which displays real-time energy usage and savings data.

Digital Lumens products are designed and manufactured to satisfy the highest quality standards of customers worldwide. Our products deliver performance, reliability, and long life and are supported by a global network of partners and product specialists.

## Specifications

---

### SENSING AND CONTROL

#### Onboard Intelligence

- Energy and fault monitoring
- Protective temperature monitoring and control

#### Network Communication

- IEEE 802.15.4 wireless mesh

#### Connected IoT Platform

- SiteWorx Facility Insights Application Suite

#### Control Options

- Integrated Connected Lighting Module (CLM)

#### Control Capabilities

- On-demand adjustments via mobile and web applications

#### Dimming

- 0% to 100% continuous

### PERFORMANCE

#### Power Factor

- 0.9 minimum

#### Wiring

- Direct wiring with PG-7 (0.5 inch) trade-size knockout

### ENVIRONMENTAL

#### Operating Temperature

- -10° to 40°C (-14° to 104°F)

#### Maximum Storage Temperature

- 40°C (104°F)

#### Operating Humidity

- 0% to 95% non-condensing

### PHYSICAL

#### Luminaire Frame

- Steel, die-formed

#### Optic Material

- Wide round ribbed frosted acrylic (diffuse optic)
- Frosted polycarbonate square lens (P95 optic)

#### Optic Options

- Round, Diffuse, and Square P95

#### Mounting Option

- T-Bar Applications

### WARRANTY

- 5-Year Limited

### CERTIFICATIONS & SAFETY

#### Approbation

- UL/cUL

#### Environmental Suitability

- UL Damp Location



**lightelligence**  
ready

# TLX-D1

## Specifications

### PERFORMANCE

#### Form Factor

- 2 x 2

#### Color Temperature<sup>1</sup>

- 5,000 K
- 4,000 K
- 3,500 K

#### Lumen Output (nominal)<sup>2</sup>

- 3,225 lm

#### Power Consumption

- 22 W

#### Efficacy<sup>3</sup>

- 144 lm/W

#### CRI

- 80 minimum, 82 typical

#### Input Voltage

- 120 to 277 VAC, 50/60 Hz

### PHYSICAL

#### Dimensions (H x W x D)

- 604 x 603 x 63.5 mm (23.8 x 23.75 x 2.5 inches)

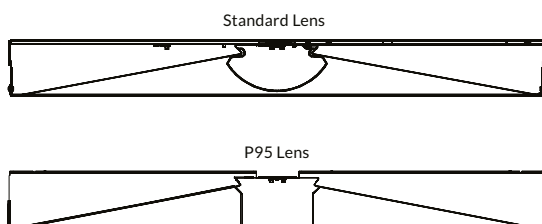
#### Weight

- 4.5 kg (10 lbs)

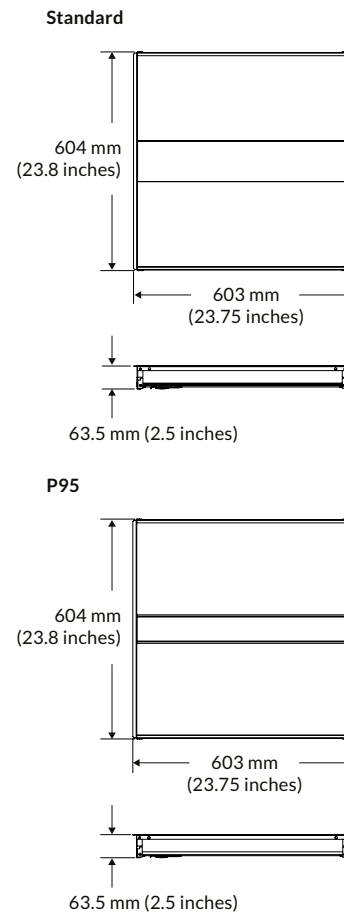
### LUMEN MAINTENANCE<sup>4,5</sup>

	25°C	40°C
L <sub>90</sub>	71,000	71,000
L <sub>80</sub>	149,000	149,000
L <sub>70</sub>	238,000	238,000

## Lens Options

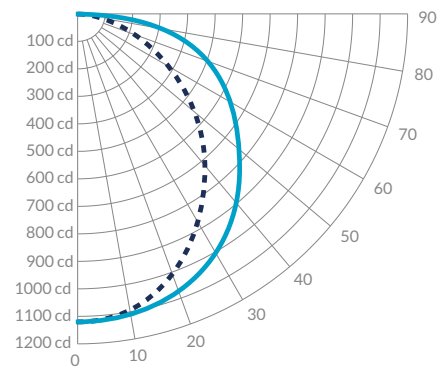


## Dimensions



## Polar Candela Distribution

### Diffuse



# TLX-H1

## Specifications

### PERFORMANCE

#### Form Factor

- 2 x 4

#### Color Temperature<sup>1</sup>

- 5,000 K
- 4,000 K
- 3,500 K

#### Lumen Output (nominal)<sup>2</sup>

- 5,059 lm

#### Power Consumption

- 37 W

#### Efficacy<sup>3</sup>

- 136 lm/W

#### CRI

- 80 minimum, 82 typical

#### Input Voltage

- 120 to 277 VAC, 50/60 Hz

### PHYSICAL

#### Dimensions (H x W x D)

- 604 x 1,213 x 63.5 mm (23.8x 47.75 x 2.5 inches)

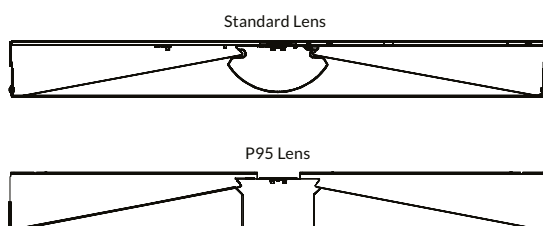
#### Weight

- 8.2 kg (18 lbs)

### LUMEN MAINTENANCE<sup>4,5</sup>

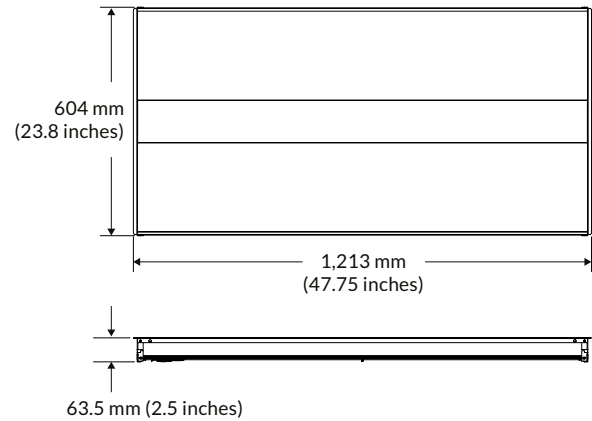
	25°C	40°C
<b>L<sub>90</sub></b>	71,000	71,000
<b>L<sub>80</sub></b>	149,000	149,000
<b>L<sub>70</sub></b>	238,000	238,000

## Lens Options

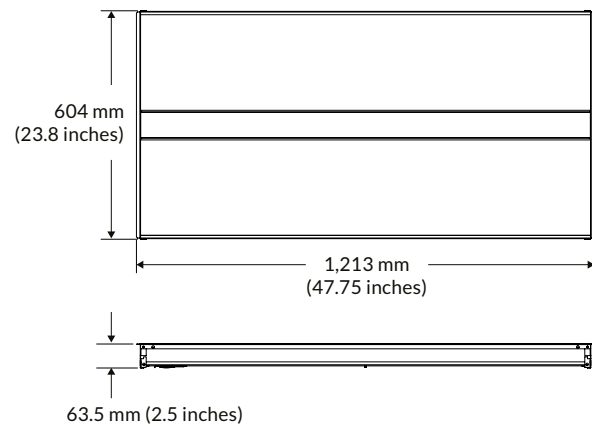


## Dimensions

### Standard

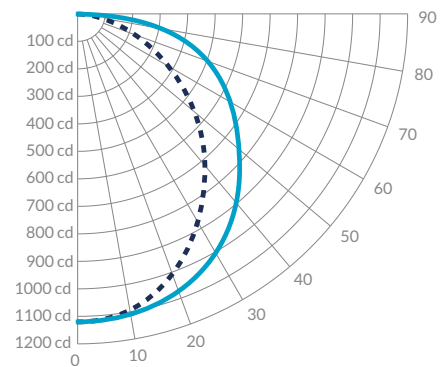


### P95



## Polar Candela Distribution

### Diffuse



# TLX-J1

## Specifications

### PERFORMANCE

#### Form Factor

- 2 x 4

#### Color Temperature<sup>1</sup>

- 5,000 K
- 4,000 K
- 3,500 K

#### Lumen Output (nominal)<sup>2</sup>

- 6,860 lm

#### Power Consumption

- 50 W

#### Efficacy<sup>3</sup>

- 138 lm/W

#### CRI

- 80 minimum, 82 typical

#### Input Voltage

- 120 to 277 VAC, 50/60 Hz

### PHYSICAL

#### Dimensions (H x W x D)

- 604 x 1,213 x 63.5 mm (23.8x 47.75 x 2.5 inches)

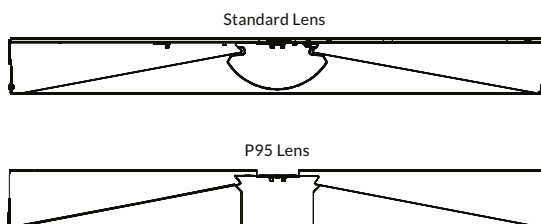
#### Weight

- 8.2 kg (18 lbs)

### LUMEN MAINTENANCE<sup>4,5</sup>

	25°C	40°C
<b>L<sub>90</sub></b>	71,000	71,000
<b>L<sub>80</sub></b>	149,000	149,000
<b>L<sub>70</sub></b>	238,000	238,000

## Lens Options



Footnotes:

<sup>1</sup> Nominal CCT, as defined by ANSI C78.377-2008.

<sup>2</sup> Diffuse optic.

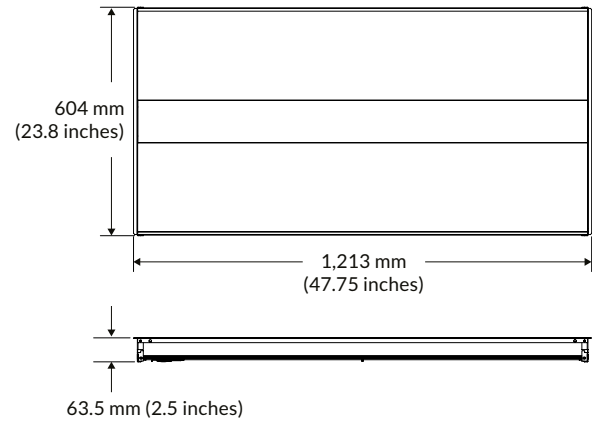
<sup>3</sup> Efficacy values vary with optic option. See DLC QPL for variant details.

<sup>4</sup> LEDs are driven below current rated current limit to enhance efficiency and increase lifetime of the LEDs. Drivers are tested at ambient 25°C (77°F), 100% continuous duty. Driver design target is always minimum > 50,000 hours at 25°C (77°F).

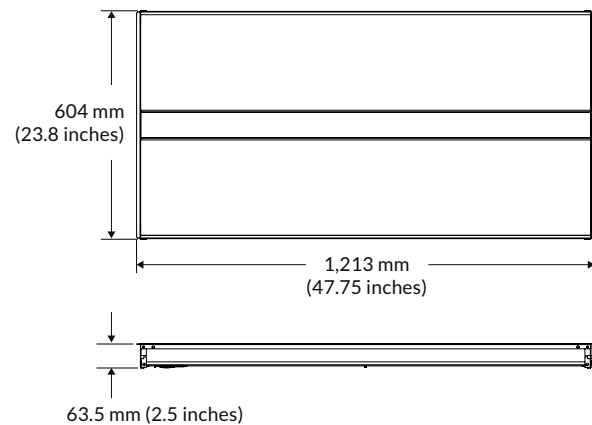
<sup>5</sup> LM-79, LM-80 tests and reports are performed in accordance to IESNA standards, per TM-21. Lumen maintenance calculated in hours (L70 via TM-21) based on continuous operation.

## Dimensions

### Standard

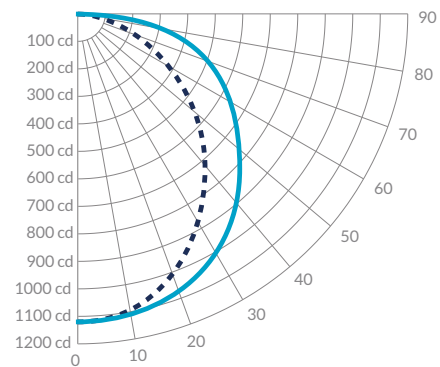


### P95



## Polar Candela Distribution

### Diffuse



## Ordering Information

The table below provides guidelines for encoding item numbers when ordering TLX luminaires. Select a luminaire type (lumen output), control option, voltage, optic, and CRI/CCT, and then use the hyphenated character codes to build a part number.

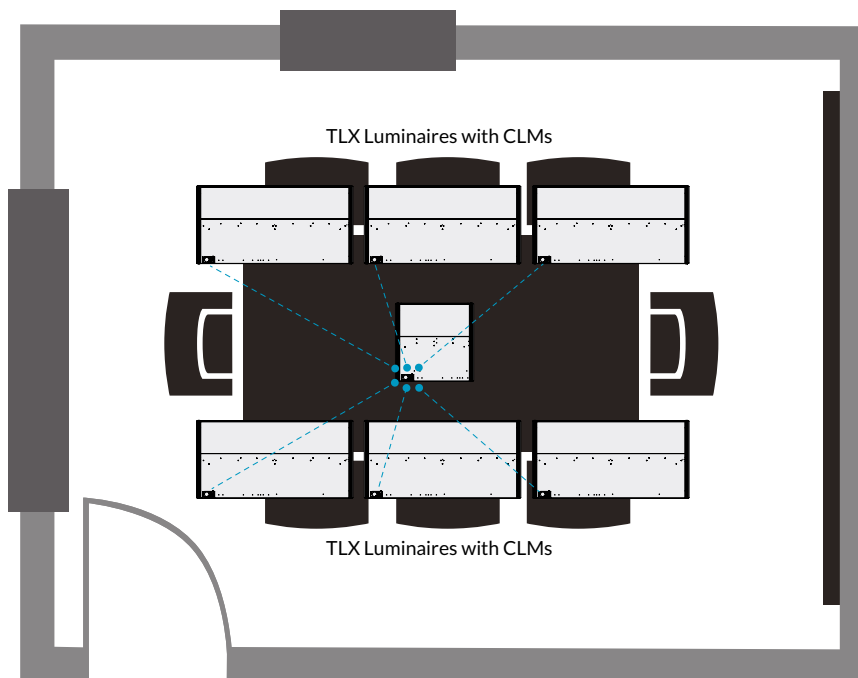
### North America

Luminaire	Type	Control	Voltage	Optic	CRI/CCT
TLX	-D1				-835 80 CRI/82 TYP 3,500 K
	-H1	-CLM	-ST Standard Voltage 100 to 277 VAC	-D (wide round diffuse)  -P (square P95)	-840 80 CRI/82 TYP 4,000 K
	-J1				-850 80 CRI/82 TYP 5,000 K

## Control Options

### Connected Lighting Module (CLM)

CLM enabled versions of the TLX series are designed for applications where a one to many sensor to luminaire ratio is needed. This solution is optimized for flexible control options through coordinated control via the SiteWorx Tune application.



Conference room with TLX luminaires using a CLM option.