

# AREA-TAG

## SiteWorx Area — Asset Tracking Tags

Date: \_\_\_\_\_

Quantity: \_\_\_\_\_

Company: \_\_\_\_\_

Project: \_\_\_\_\_



The **AREA-TAG** beacons are a collection of small, wireless, versatile Bluetooth tags for Asset Tracking used in combination with SiteWorx Area. Three distinct designs enable you to find, track, and count assets, products, and people.

### SiteWorx Application

- SiteWorx Area



### Key Features & Benefits

- Enables SiteWorx® Area to find, track, and count assets when used with an existing SiteWorx Tune installation
- AREA-TAG beacons are easy to install and use. Tags will self-discover — just attach and start tracking
- User-defined Area Tag names for easy identification in SiteWorx Area
- Battery-powered with an average life of up to 5-years
- Incorporates the SiteWorx wireless mesh network

## Asset Tracking Tag Options



### Smart Badge

A customized tag for people. Slip a lanyard through the hole and use Smart Badge as a smart-badge. Give the badge to your **employees, staff members, or visitors to track their location and movement** in real-time or over a period of time.

Whether you want to reduce time spent searching for staff members or want to understand the movement of workers to improve performance, Smart Badge is your go-to tag. It enables you to locate anyone in real time and to analyze their movements over time.



### Asset Tag 2

With a slim profile and IP-54 rating, the Asset Tag 2 is **the best choice for tracking goods**. May be attached to many different surfaces with either temporary or permanent adhesives. Also included is a single attachment point for more permanent mounting or for a user-provided mechanical clip mount.



### Puck Beacon

With a rugged casing and long battery life the Puck Beacon is **perfect for asset tracking in rough environments**.

Resistant to extremes in temperature -40°F / +185°F (-40°C / +85°C), and with an IP65 rating it can withstand harsh environments and handle indoor and outdoor conditions.

Perfect for large equipment and vehicles, the Puck Beacon can be attached to objects using adhesive or mounting brackets.

The device can be supplied in PC/ABS industrial-grade mounting kit to enable quick and efficient screw mounting on all types of surfaces.

## Specifications

### SENSING AND CONTROL

#### Smart Device

- Enables you to find, track, and count assets, products, and people

#### Network Communication

- SiteWorx Wireless Mesh Network  
IEEE 802.15.4 enabling SiteWorx Sense Smart Devices cloud communication
- Beacon Format: Eddystone

#### Technology Platform

- Incorporates the SiteWorx wireless mesh network
- Bluetooth® Low-Energy

### ENVIRONMENTAL

#### Operating Temperature

- Smart Badge: 0° to 55°C (32° to 131°F)
- Asset Tag 2: -60° to 85°C (-140° to 185°F)
- Puck Beacon: -40° to 85°C (-40° to 185°F)

#### Operating Humidity

- 10% to 90% non-condensing, for indoor use only (Smart Badge)

### PHYSICAL

#### Battery Type

- Smart Badge: CP224147
- Asset Tag 2: Non-replaceable
- Puck Beacon: 2x ER14250

#### Dimensions (H x W x D / Diameter x H)

- Smart Badge: 107 x 65 x 75 mm (4.21 x 2.55 x 0.29 inches)
- Asset Tag 2: 49 x 49 x 15 mm (1.9 x 1.9 x 0.5 inches)
- Puck Beacon: Ø50 x 20.5 mm (Ø1.9 x 0.8 inches)
  - Mounting Kit: 60.5 x 86.7 x 28.4 mm (2.38 x 3.4 x 1.11 inches)

#### Weight

- Smart Badge: 29 g (1.02 oz)
- Asset Tag 2: 39 g (1.37 oz)
- Puck Beacon: 101 g (3.6 oz)

### WARRANTY

- 1-Year Limited

### CERTIFICATIONS & SAFETY

#### Approbations

- CE, UKCA, FCC, RoHS

#### Environmental Suitability

- Smart Badge: IP65
- Asset Tag 2: IP67
- Puck Beacon: IP65



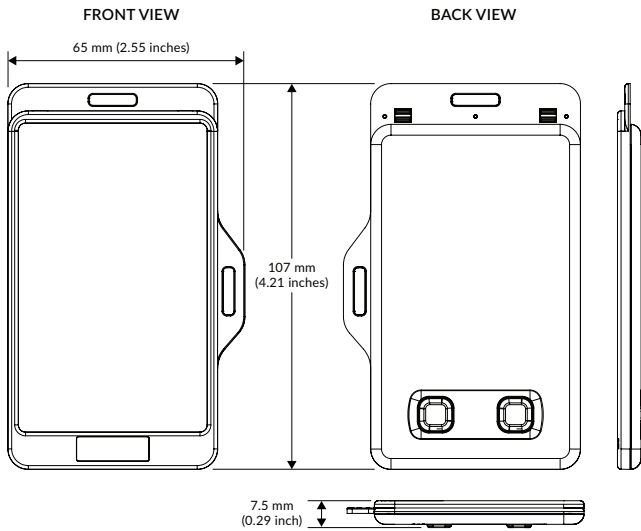
## Ordering Information

Order Area Tags to function with a SiteWorx Area Subscription.

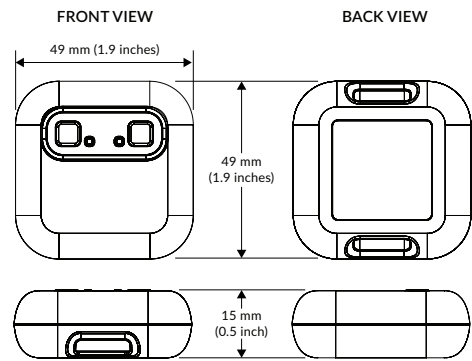
Part Number	Description	Quantity
AREA-TAG-B	Smart Badge for Asset Tracking	25
AREA-TAG-S	Asset Tag 2 for Asset Tracking	25
AREA-TAG-R	Puck Beacon for Asset Tracking	25

## Dimensions

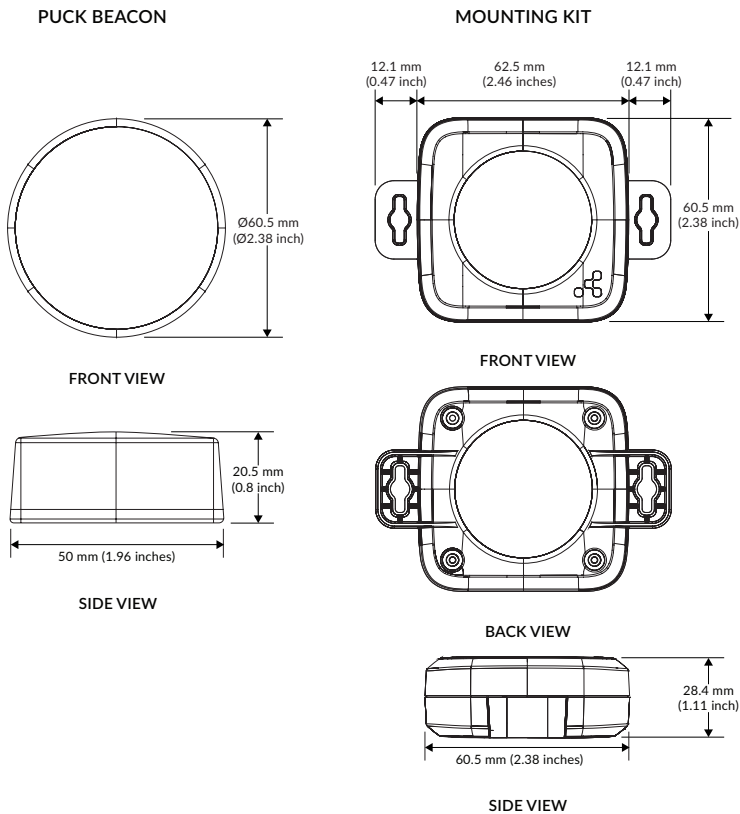
### Smart Badge



### Asset Tag 2



### Puck Beacon



Copyright © 2024 SiteWorx Software USA, LLC.

All rights reserved. SiteWorx, the SiteWorx logo, We Generate Facility Wellness, LightRules, and any other trademark, service mark, or tradename (collectively "the Marks") are either trademarks or registered trademarks of SiteWorx Software USA, LLC in the United States and/or other countries, or remain the property of their respective owners that have granted SiteWorx Software USA, LLC the right and license to use such Marks and/or are used herein as nominative fair use. Due to continuous improvements and innovations, specifications may change without notice.

**PUB-001004-00 Rev E 08-24**

