

ULX

Intelligent LED High-Bay Luminaire

Date: _____

Quantity: _____

Company: _____

Project: _____

The Digital Lumens ULX luminaire family offers high-performance intelligent high-bay luminaires for a broad range of industrial and commercial applications.

Available with a wide operating temperature range and a watertight IP65 housing, the ULX is ideal for challenging environments.



Key Features & Benefits

- Light output from 14,824 to 35,687 lumens and efficacy up to 158 lumens per watt
- Narrow, Wide, and Diffuse optics and reflector options accommodate a wide range of applications and aesthetic preferences
- Standard aircraft cable or fixed mounting options
- With integrated wireless controls, reducing installation cost by allowing separate placement of Lightelligence sensors only where needed
- Incorporates Lightelligence®, the Digital Lumens core technology that ensures openness, connectivity, and scalability

Digital Lumens suite of SiteWorx applications and an array of smart devices can meter your utilities, monitor your entire facility, and observe critical areas. SiteWorx starts delivering meaningful data and actionable insights right out of the box. Now you can make data-informed decisions, spot hidden problems, and take immediate action. All while keeping your people safe and productive and your operation efficient and sustainable.

SiteWorx Tune is an intelligent lighting control application that uses smart sensors and advanced cloud-based software to maximize energy savings, improve productivity, and maintain safe, comfortable light levels. It brings new control and savings to your lighting infrastructure. With SiteWorx Tune, you can stay informed of energy use and savings via the SiteWorx Tune dashboard, which displays real-time energy usage and savings data.

Digital Lumens products are designed and manufactured to satisfy the highest quality standards of customers worldwide. Our products deliver performance, reliability, and long life and are supported by a global network of partners and product specialists.

Specifications

SENSING AND CONTROL

Network Communication

- IEEE 802.15.4 wireless mesh

Connected IoT Platform

- SiteWorx Facility Insights Application Suite

Control Capabilities

- On demand adjustments via mobile and web applications
- kWh logging
- Protective temperature monitoring

PERFORMANCE

Power Factor

- 0.9 minimum

Surge Protection

- 1 kV line-line / 2 kV line-earth

ENVIRONMENTAL

Operating Temperature

- -40° to 50°C (-40° to 122°F)

Operating Humidity

- 0% to 95%, non-condensing

Photobiological Safety

- RGI per IEC TR 62778

PHYSICAL

Luminaire Frame

- Steel

Optic/Reflector Material

- PC, Glass, and Aluminum

Optic Options

- Narrow (60°), Wide (90°), and Diffuse (120°)

Reflector Options

- Aluminum or Polycarbonate

Mounting Option

- Hook

WARRANTY

- 5-Year Limited

CERTIFICATIONS & SAFETY

Approbation

- UL/cUL, UL-NOM, CE, FCC Part 15 Class B, Design Lights Consortium (DLC) Premium and DLC Standard

Environmental Suitability

- IP65



To identify the specific ULX luminaire model
DLC Premium or DLC Standard listing, visit
qpl.designlights.org/

ULX-D1

Specifications

PERFORMANCE

Color Temperature¹

- 5,000 K CCT
- 4,000 K CCT

Lumen Output (nominal)²

- 15,645 lm (5,000 K)
- 15,579 lm (4,000 K)

Power Consumption

- 99 W

Efficacy³

- 158 lm/W (5,000 K)
- 157 lm/W (4,000 K)

CRI

- 80 minimum, 82 typical

Input Ratings⁴

- 120 to 277 VAC, 50/60 Hz

PHYSICAL

Dimensions (Height x Diameter)

- 216.5 x 260 mm (8.5 x 10.2 inches)

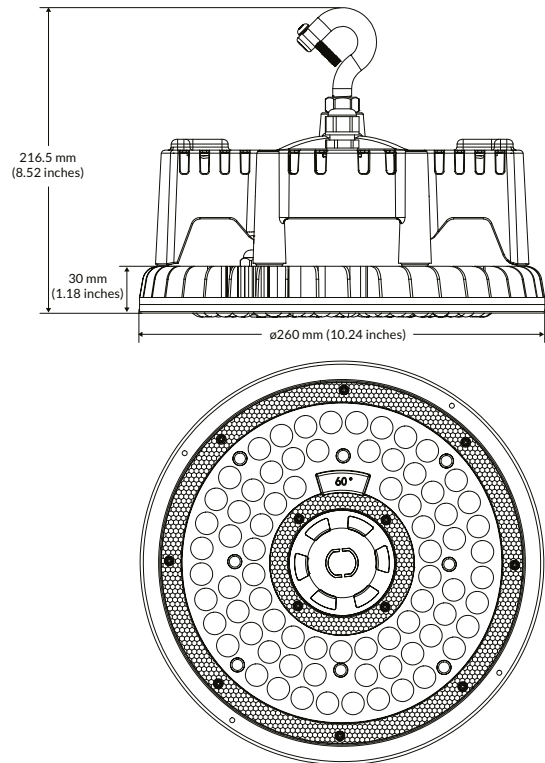
Weight

- 4.5 kg (10 lbs)

LUMEN MAINTENANCE & DRIVER LIFETIME^{5,6}

	25°C	50°C
L₉₀	41,000	32,000
L₈₀	88,000	69,000
L₇₀	142,000	111,000
Driver Lifetime	120,000	60,000

Dimensions



ULX-F1

Specifications

PERFORMANCE

Color Temperature¹

- 5,000 K CCT
- 4,000 K CCT

Lumen Output (nominal)²

- 23,030 lm (5,000 K)
- 22,677 lm (4,000 K)

Power Consumption

- 155 W

Efficacy³

- 149 lm/W (5,000 K)
- 147 lm/W (4,000 K)

CRI

- 80 minimum, 82 typical

Input Ratings⁴

- 120 to 277 VAC, 50/60 Hz

PHYSICAL

Dimensions (Height x Diameter)

- 216.5 x 260 mm (8.5 x 10.2 inches)

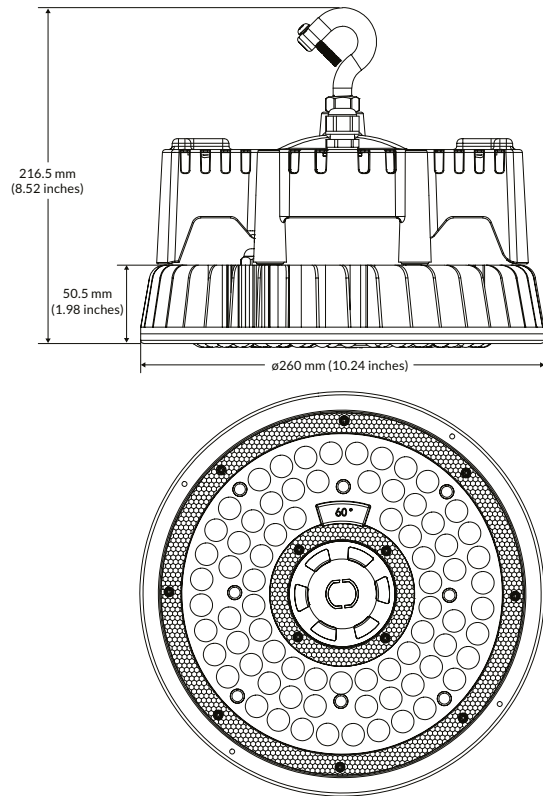
Weight

- 4.5 kg (10 lbs)

LUMEN MAINTENANCE & DRIVER LIFETIME^{5,6}

	25°C	50°C
L₉₀	44,000	32,000
L₈₀	94,000	69,000
L₇₀	151,000	111,000
Driver Lifetime	120,000	50,000

Dimensions



ULX-H1

Specifications

PERFORMANCE

Color Temperature¹

- 5,000 K CCT
- 4,000 K CCT

Lumen Output (nominal)²

- 29,916 lm (5,000 K)
- 29,612 lm (4,000 K)

Power Consumption

- 201 W (5,000 K)
- 202 W (4,000 K)

Efficacy³

- 149 lm/W (5,000 K)
- 147 lm/W (4,000 K)

CRI

- 80 minimum, 82 typical

Input Ratings⁴

- 120 to 277 VAC, 50/60 Hz

PHYSICAL

Dimensions (Height x Diameter)

- 229 x 320 mm (9 x 12.6 inches)

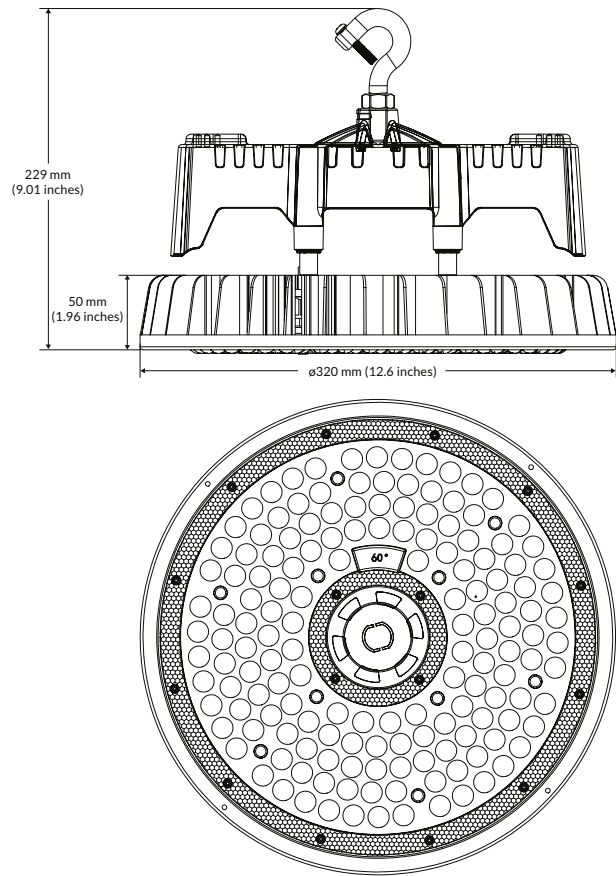
Weight

- 4.5 kg (10 lbs)

LUMEN MAINTENANCE & DRIVER LIFETIME^{5, 6}

	25°C	50°C
L₉₀	40,000	32,000
L₈₀	86,000	69,000
L₇₀	138,000	111,000
Driver Lifetime	120,000	50,000

Dimensions



ULX-J1

Specifications

PERFORMANCE

Color Temperature¹

- 5,000 K CCT
- 4,000 K CCT

Lumen Output (nominal)²

- 35,687 lm (5,000 K)
- 35,372 lm (4,000 K)

Power Consumption

- 238 W

Efficacy³

- 150 lm/W (5,000 K)
- 148 lm/W (4,000 K)

CRI

- 80 minimum, 82 typical

Input Ratings⁴

- 120 to 277 VAC, 50/60 Hz

PHYSICAL

Dimensions (Height x Diameter)

- 229 x 320 mm (9 x 12.6 inches)

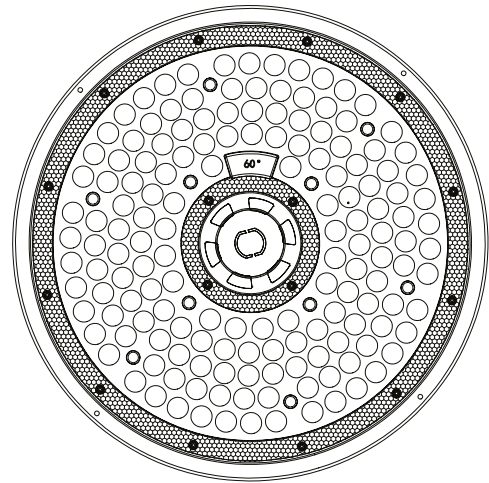
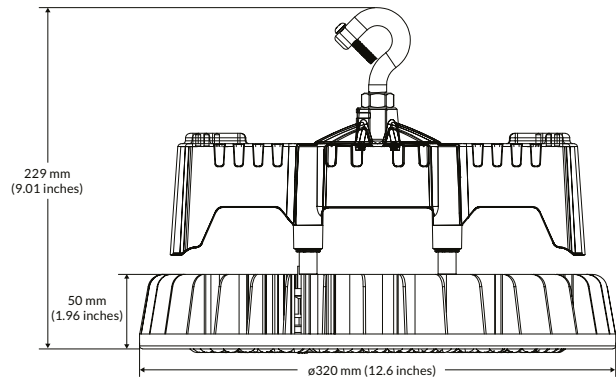
Weight

- 4.5 kg (10 lbs)

LUMEN MAINTENANCE & DRIVER LIFETIME^{5,6}

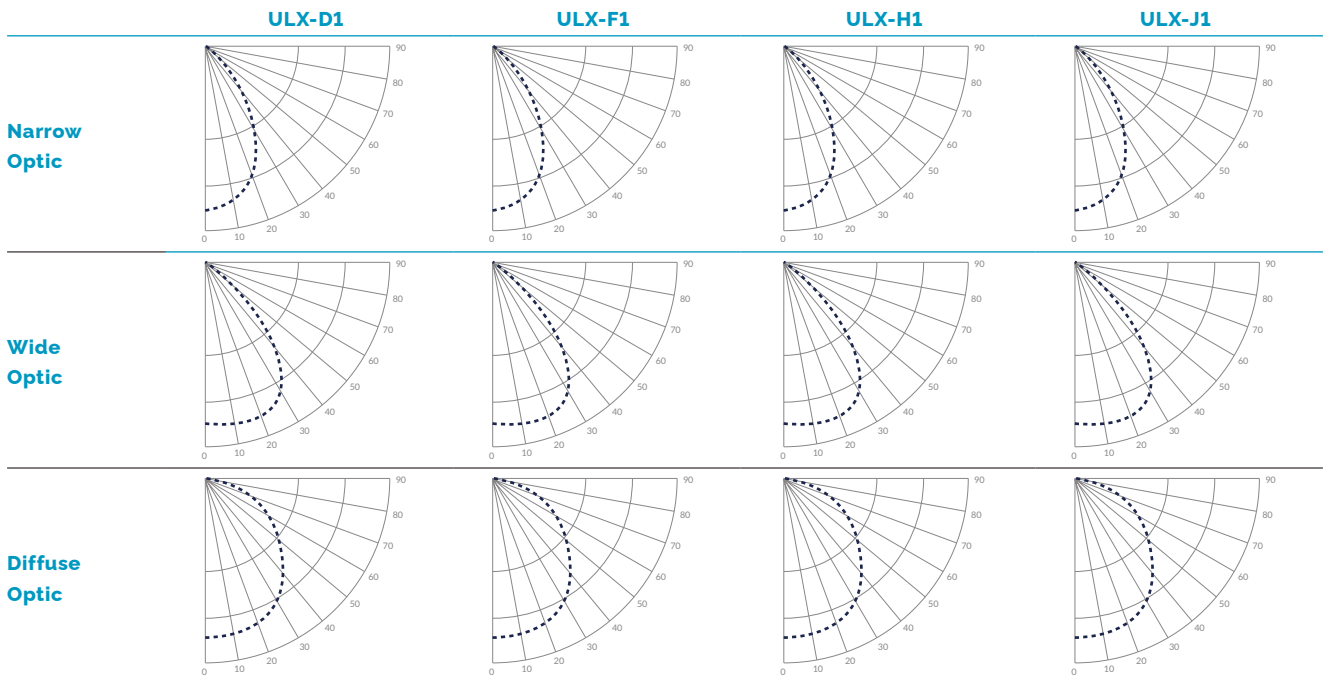
	25°C	50°C
L₉₀	39,000	32,000
L₈₀	84,000	69,000
L₇₀	134,000	111,000
Driver Lifetime	120,000	40,000

Dimensions



Polar Candela Distribution

Fixed Axis -----



Ordering Information

The table below provides guidelines for encoding item numbers when ordering ULX luminaires. Select a luminaire type (lumen output), voltage, optic, and CRI/CCT, and then use the hyphenated character codes to build a part number.

Luminaire	Type	Voltage	Optic	CRI/CCT
ULX	-D1	-ST Standard Voltage, 120 to 277 VAC	-N Narrow (60°)	-850 80 CRI / 82 TYP 5,000 K
	-F1		-W Wide (90°)	-840 80 CRI / 82 TYP 4,000 K
	-H1		-D Diffuse (120°)	
	-J1			

ULX Luminaires & Accessories

ULX-D1

Part Number	Lumens	Power @ 277 VAC	Efficacy
ULX-ST-D1-N-840	15,228	103 W	148 lm/W
ULX-ST-D1-W-840	15,579	99 W	157 lm/W
ULX-ST-D1-D-840	15,444	100 W	154 lm/W
ULX-ST-D1-N-850	14,824	99 W	150 lm/W
ULX-ST-D1-W-850	15,645	99 W	158 lm/W
ULX-ST-D1-D-850	15,378	99 W	155 lm/W

ULX-F1

Part Number	Lumens	Power @ 277 VAC	Efficacy
ULX-ST-F1-N-840	22,711	154 W	147 lm/W
ULX-ST-F1-W-840	22,677	155 W	147 lm/W
ULX-ST-F1-D-840	22,501	154 W	146 lm/W
ULX-ST-F1-N-850	23,029	155 W	149 lm/W
ULX-ST-F1-W-850	23,030	155 W	149 lm/W
ULX-ST-F1-D-850	22,433	153 W	147 lm/W

ULX-H1

Part Number	Lumens	Power @ 277 VAC	Efficacy
ULX-ST-H1-N-840	29,822	204 W	146 lm/W
ULX-ST-H1-W-840	29,612	202 W	147 lm/W
ULX-ST-H1-D-840	29,723	201 W	148 lm/W
ULX-ST-H1-N-850	29,837	202 W	148 lm/W
ULX-ST-H1-W-850	29,916	201 W	149 lm/W
ULX-ST-H1-D-850	29,761	199 W	149 lm/W

ULX-J1

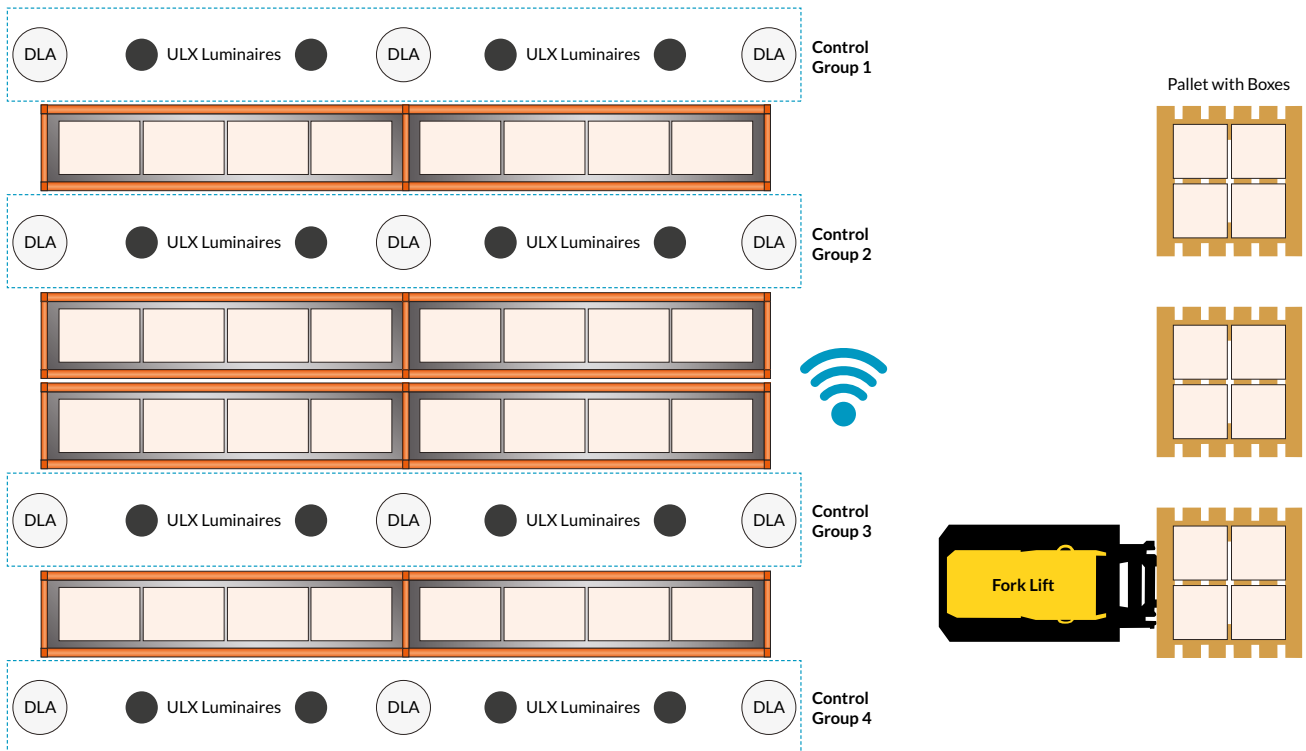
Part Number	Lumens	Power @ 277 VAC	Efficacy
ULX-ST-J1-N-840	34,647	237 W	146 lm/W
ULX-ST-J1-W-840	35,372	238 W	148 lm/W
ULX-ST-J1-D-840	34,871	238 W	147 lm/W
ULX-ST-J1-N-850	35,030	238 W	147 lm/W
ULX-ST-J1-W-850	35,687	238 W	150 lm/W
ULX-ST-J1-D-850	35,275	237 W	149 lm/W

Accessories

Part Number	Description
ULXRFL-AL1	ULX Reflector, Aluminum, Compatible with D1 and F1 Units
ULXRFL-AL2	ULX Reflector, Aluminum, Compatible with H1 and J1 Units
ULXRFL-PC1	ULX Reflector, Polycarbonate, Compatible with D1 and F1 Units
ULXRFL-PC2	ULX Reflector, Polycarbonate, Compatible with H1 and J1 Units

Luminaire/Control Schematic

Each ULX luminaire has wireless control built in and can be coordinated to a standalone DLA. Each DLA can control a single or a group of ULX luminaires providing flexible control options through coordinated control via the SiteWorx[®] Tune Application.



Footnotes:

- ¹ Nominal CCT, as defined by ANSI C78.377-2008.
- ² Wide optic.
- ³ Efficacy values vary with optic option. See DLC QPL for variant details.
- ⁴ Input ratings may vary for international certifications.
- ⁵ LEDs are driven below current rated current limit to enhance efficiency and increase lifetime of the LEDs. Drivers are tested at ambient 25°C (77°F), 100% continuous duty. Driver design target is always minimum > 50,000 hours at 25°C (77°F).
- ⁶ LM-79, LM-80 tests and reports are performed in accordance to IESNA standards, per TM-21. Lumen maintenance calculated in hours (L70 via TM-21) based on continuous operation.

Hanging Hardware

Hook

