

CLE

Intelligent LED High-Bay Luminaire

Date: _____

Quantity: _____

Company: _____

Project: _____



The **CLE** Intelligent LED High-Bay Luminaire enables advanced lighting controls for impressive energy savings, unlocks beyond lighting applications, and empowers users to more efficiently and affordably maintain a state-of-the-art facility for the lifetime of the luminaire.

The CLE incorporates the **Lightelligence Port** paired with the interchangeable **Lightelligence Port Sensing and Communications Modules**.

SiteWorx Application

- SiteWorx Tune



Key Features & Benefits

- Light output from 9,274 to 46,441 lumens and efficacy up to 155 lumens per watt
- Aisle, Wide Diffuse, and Wide Clear optic options give you the right light for the correct application
- Optional EN 50172 and UL924 compliant Emergency Battery Backup solution provides illumination during power outages and automated life-safety testing
- Standard aircraft cable or fixed mounting options
- Enables SiteWorx® Tune application to optimize your lighting and reduce energy use
- Incorporates the Lightelligence Port paired with the advanced Lightelligence Sensing and Communications Module, providing a simple and easy upgrade path with its future-proof design. As new sensing and communication technologies are released, you can easily take advantage while you keep your intelligent LED luminaires in place

Lightelligence Sensing and Communications Module Specifications

PIR-BLE MODULE



Luminaire Insights

- Allows monitoring of luminaire energy consumption, operational status, occupancy trends, faults, and enables unparalleled light output and control

Luminaire Control

- Provides On/Off and precise 0% to 100% luminaire dimming
- Fully enables SiteWorx Tune lighting control capabilities, including task tuning, daylight harvesting, scheduled and automatic setback, and coordinated control

Sensing

- Integrated Passive Infrared (PIR) Sensor for occupancy detection. Occupancy information is collected and movement is detected within the sensor coverage area. The sensor can not detect or report any Personally Identifiable Information (PII)
- Integrated Photocell Sensor for daylight harvesting strategies to raise or lower light output based on available daylight

Network Communication

- Lightelligence Wireless Mesh Network IEEE 802.15.4 enabling communication with Digital Lumens Smart Devices
- Includes AES-128 encryption to deliver secure, reliable communications that can easily coexist with other wireless networks within your facility
- Uses Bluetooth Low-Energy (BLE) to enable SiteWorx Area asset location capabilities in combination with AREA-TAG smart devices

Technology Platform

- Incorporates **Lightelligence**[®], the Digital Lumens core technology that ensures openness, connectivity, scalability, and security

PIR MODULE



Luminaire Insights

- Allows monitoring of luminaire energy consumption, operational status, occupancy trends, faults, and enables unparalleled light output and control

Luminaire Control

- Provides On/Off and precise 0% to 100% luminaire dimming
- Fully enables SiteWorx Tune lighting control capabilities, including task tuning, daylight harvesting, scheduled and automatic setback, and coordinated control

Sensing

- Integrated Passive Infrared (PIR) Sensor for occupancy detection. Occupancy information is collected and movement is detected within the sensor coverage area. The sensor can not detect or report any Personally Identifiable Information (PII)
- Integrated Photocell Sensor for daylight harvesting strategies to raise or lower light output based on available daylight

Network Communication

- Lightelligence Wireless Mesh Network IEEE 802.15.4 enabling communication with Digital Lumens Smart Devices
- Includes AES-128 encryption to deliver secure, reliable communications that can easily coexist with other wireless networks within your facility

Technology Platform

- Incorporates **Lightelligence**[®], the Digital Lumens core technology that ensures openness, connectivity, scalability, and security

Luminaires Specifications

PERFORMANCE

Unified Glare Rating¹

- 20 (Update when new PMETS are in for CLE2)

Power Factor

- 0.9 minimum

Surge Protection

- Per IEC 61547
- 1.5 kV line-line / 3 kV line-earth

Wiring

- Direct wiring with PG-7 (0.5 inch) trade-size knockout
- Internal 0-10V dimming driver

ENVIRONMENTAL

Operating Temperature

- Luminaire
 - 20° to 50°C (-4° to 122°F)
- Luminaire with BBDCLE battery backup
 - 0° to 50°C (32° to 122°F) — UL
 - 0° to 25°C (32° to 77°F) — CE

Maximum Storage Temperature

- 50°C (122°F)

Operating Humidity

- 0% to 95%, non-condensing

Photobiological Safety

- RGI per IEC TR 62778
- RGO per IEC-62471

PHYSICAL

Luminaire Frame

- Painted Steel

Optic Material

- Optical grade PMMA
- Optical grade PC option (diffuse optic)

Optic Options

- Aisle
- Wide Diffuse
- Wide Clear²

Mounting Options

- Aircraft Cable
- Fixed Mount

WARRANTY

- 10-Year Limited

CERTIFICATIONS & SAFETY

Approbations

- UL/cUL, UL-NOM, CE, FCC Part 15 Class B, RoHS, Design Lights Consortium DLC Standard

Environmental Suitability

- UL Damp Location³, IP20



CLE-B2

Specifications*

PERFORMANCE

UL

Color Temperature⁴

- 5,000 K CCT
- 4,000 K CCT

Lumen Output (nominal)⁵

- 11,890 lm (5,000 K)
- 10,780 lm (4,000 K)

Power Consumption

- 78 W

Efficacy⁶

- 152 lm/W (5,000 K)
- 138 lm/W (4,000 K)

CRI

- 80 minimum, 82 typical

Input Voltage⁷

- 120 to 277 VAC,
50/60 Hz Standard
Voltage (ST)

CE

Color Temperature⁴

- 5,000 K CCT
- 4,000 K CCT

Lumen Output (nominal)⁵

- 10,610 lm (5,000 K)
- 9,274 lm (4,000 K)

Power Consumption

- 78 W (5,000 K)
- 77 W (4,000 K)

Efficacy⁶

- 137 lm/W (5,000 K)
- 121 lm/W (4,000 K)

CRI

- 80 minimum, 82 typical

Input Voltage⁷

- 220 to 240 VAC,
50/60 Hz

PHYSICAL

Dimensions (H x W x D)

- 513 x 384 x 74 mm (20.2 x 15.1 x 2.9 inches)

Weight

- 3.8 kg (8.4 lbs)

LUMEN MAINTENANCE & DRIVER LIFETIME^{8,9}

25°C

50°C

L₉₀ (18k)

> 67,000

> 56,000

L₈₀ (18k)

> 162,000

> 138,000

L₇₀ (18k)

> 271,000

> 232,000

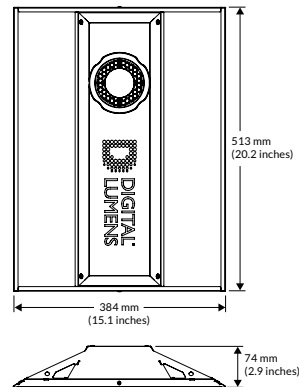
Driver Lifetime

120,000

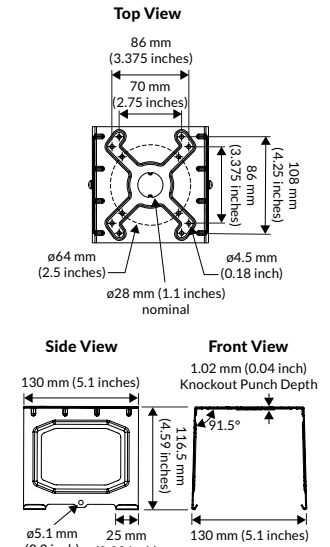
100,000

Dimensions

Luminaire



Fixed/Pendant Mount Bracket



Illuminance at Distance

UL

Aisle Optic

	Center Beam fc		Beam Spread	
	Horizontal	Vertical	Horizontal	Vertical
3 m (10 ft)	59	4 m (13 ft)	9 m (29 ft)	
6.1 m (20 ft)	15	8 m (26 ft)	17.7 m (58 ft)	
9.1 m (30 ft)	7	11.5 m (38 ft)	26.2 m (86 ft)	
12.2 m (40 ft)	4	11.6 m (51 ft)	35 m (115 ft)	
15.2 m (50 ft)	2	19.5 m (64 ft)	44 m (144 ft)	

Wide Diffuse Optic

	Center Beam fc		Beam Spread	
	Horizontal	Vertical	Horizontal	Vertical
3 m (10 ft)	46	8 m (25 ft)	8 m (25 ft)	
6.1 m (20 ft)	11	15.2 m (50 ft)	15.2 m (50 ft)	
9.1 m (30 ft)	5	23 m (75 ft)	23.2 m (76 ft)	
12.2 m (40 ft)	3	30.2 m (99 ft)	31 m (101 ft)	
15.2 m (50 ft)	2	38.1 m (125 ft)	38.4 m (126 ft)	

CE

Aisle Optic

	Center Beam fc		Beam Spread	
	Horizontal	Vertical	Horizontal	Vertical
3 m (10 ft)	59	4 m (13 ft)	8.8 m (29 ft)	
6.1 m (20 ft)	15	8 m (26 ft)	18 m (58 ft)	
9.1 m (30 ft)	7	11.5 m (38 ft)	26.2 m (86 ft)	
12.2 m (40 ft)	4	15.5 m (51 ft)	35 m (115 ft)	
15.2 m (50 ft)	2	19.5 m (64 ft)	44 m (144 ft)	

Wide Diffuse Optic

	Center Beam fc		Beam Spread	
	Horizontal	Vertical	Horizontal	Vertical
3 m (10 ft)	39	8.5 m (28 ft)	8.5 m (28 ft)	
6.1 m (20 ft)	10	17.1 m (56 ft)	16.8 m (55 ft)	
9.1 m (30 ft)	4	25.3 m (83 ft)	25.3 m (83 ft)	
12.2 m (40 ft)	3	34 m (111 ft)	33.5 m (110 ft)	
15.2 m (50 ft)	2	42.4 m (139 ft)	42.1 m (138 ft)	

Wide Clear Optic

	Center Beam fc		Beam Spread	
	Horizontal	Vertical	Horizontal	Vertical
3 m (10 ft)	44	9.4 m (31 ft)	9.4 m (31 ft)	
6.1 m (20 ft)	11	19 m (62 ft)	19 m (62 ft)	
9.1 m (30 ft)	5	28.3 m (93 ft)	28.3 m (93 ft)	
12.2 m (40 ft)	3	37.8 m (124 ft)	37.8 m (124 ft)	
15.2 m (50 ft)	2	47 m (154 ft)	47.2 m (155 ft)	

Footnote:

* Specifications presented are based on the CLE-1 version. CLE-2 version specifications will have equivalent photometric performance. Please contact support@digitallumens.com for specific details.

CLE-D2

Specifications*

PERFORMANCE

UL

Color Temperature⁴

- 5,000 K CCT
- 4,000 K CCT

Lumen Output (nominal)⁵

- 17,640 lm (5,000 K)
- 15,940 lm (4,000 K)

Power Consumption

- 115 W (5,000 K)
- 114 W (4,000 K)

Efficacy⁶

- 153 lm/W (5,000 K)
- 140 lm/W (4,000 K)

CRI

- 80 minimum, 82 typical

Input Voltage⁷

- 120 to 277 VAC, 50/60 Hz Standard Voltage (ST)
- 347 to 480 VAC, 50/60 Hz High Voltage (HV)

CE

Color Temperature⁴

- 5,000 K CCT
- 4,000 K CCT

Lumen Output (nominal)⁵

- 15,690 lm (5,000 K)
- 13,940 lm (4,000 K)

Power Consumption

- 114 W

Efficacy⁶

- 138 lm/W (5,000 K)
- 119 lm/W (4,000 K)

CRI

- 80 minimum, 82 typical

Input Voltage⁷

- 220 to 240 VAC, 50/60 Hz

PHYSICAL

Dimensions (H x W x D)

- 513 x 384 x 74 mm (20.2 x 15.1 x 2.9 inches)

Weight

- 4.3 kg (9.4 lbs)

LUMEN MAINTENANCE & DRIVER LIFETIME^{8,9}

25°C

50°C

L₉₀ (18k)

> 64,000

> 50,000

L₈₀ (18k)

> 155,000

> 134,000

L₇₀ (18k)

> 258,000

> 224,000

Driver Lifetime

120,000

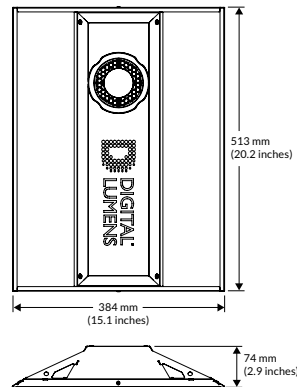
90,000

Footnote:

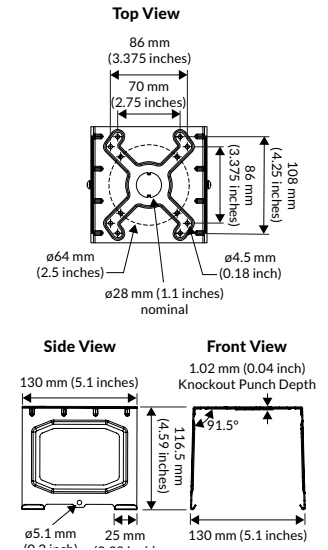
* Specifications presented are based on the CLE-1 version. CLE-2 version specifications will have equivalent photometric performance. Please contact support@digitallumens.com for specific details.

Dimensions

Luminaire



Fixed Mount/ Pendant Bracket



Illuminance at Distance

UL

Aisle Optic

	Center Beam fc		Beam Spread	
	Horizontal	Vertical	Horizontal	Vertical
3 m (10 ft)	92	4 m (13 ft)	8.5 m (28 ft)	
6.1 m (20 ft)	23	8 m (25 ft)	17.4 m (57 ft)	
9.1 m (30 ft)	10	11.5 m (38 ft)	30 m (85 ft)	
12.2 m (40 ft)	6	15.2 m (50 ft)	34.7 m (114 ft)	
15.2 m (50 ft)	4	19 m (62 ft)	43.3 m (142 ft)	

Wide Diffuse Optic

	Center Beam fc		Beam Spread	
	Horizontal	Vertical	Horizontal	Vertical
3 m (10 ft)	69	8 m (25 ft)	8 m (25 ft)	
6.1 m (20 ft)	17	15.2 m (50 ft)	15.5 m (51 ft)	
9.1 m (30 ft)	8	23 m (75 ft)	23.2 m (76 ft)	
12.2 m (40 ft)	4	30.2 m (99 ft)	31 m (101 ft)	
15.2 m (50 ft)	3	38.1 m (125 ft)	39 m (127 ft)	

CE

Aisle Optic

	Center Beam fc		Beam Spread	
	Horizontal	Vertical	Horizontal	Vertical
3 m (10 ft)	92	4 m (13 ft)	8.5 m (28 ft)	
6.1 m (20 ft)	23	7.6 m (25 ft)	17.4 m (57 ft)	
9.1 m (30 ft)	10	11.5 m (38 ft)	26 m (85 ft)	
12.2 m (40 ft)	6	15.2 m (50 ft)	35 m (114 ft)	
15.2 m (50 ft)	4	19 m (62 ft)	43.3 m (142 ft)	

Wide Diffuse Optic

	Center Beam fc		Beam Spread	
	Horizontal	Vertical	Horizontal	Vertical
3 m (10 ft)	58	8.5 m (28 ft)	8 m (25 ft)	
6.1 m (20 ft)	14	16.8 m (55 ft)	16.8 m (55 ft)	
9.1 m (30 ft)	6	25.3 m (83 ft)	25 m (82 ft)	
12.2 m (40 ft)	4	34 m (111 ft)	33.5 m (110 ft)	
15.2 m (50 ft)	2	42.4 m (139 ft)	41.7 m (137 ft)	

Wide Clear Optic

	Center Beam fc		Beam Spread	
	Horizontal	Vertical	Horizontal	Vertical
3 m (10 ft)	66	9.4 m (31 ft)	9.4 m (31 ft)	
6.1 m (20 ft)	16	19 m (62 ft)	19 m (62 ft)	
9.1 m (30 ft)	7	28.3 m (93 ft)	28.3 m (93 ft)	
12.2 m (40 ft)	4	37.8 m (124 ft)	37.8 m (124 ft)	
15.2 m (50 ft)	3	47.2 m (155 ft)	47.2 m (155 ft)	

CLE-H2

Specifications*

PERFORMANCE

UL

Color Temperature⁴

- 5,000 K CCT
- 4,000 K CCT

Lumen Output (nominal)⁵

- 31,661 lm (5,000 K)
- 31,727 lm (4,000 K)

Power Consumption

- 216 W

Efficacy⁶

- 147 lm/W

CRI

- 80 minimum, 82 typical

Input Voltage⁷

- 120 to 277 VAC, 50/60 Hz Standard Voltage (ST)
- 347 to 480 VAC, 50/60 Hz High Voltage (HV)

PHYSICAL

Dimensions (H x W x D)

- 513 x 384 x 74 mm (20.2 x 15.1 x 2.9 inches)

Weight

- 4.3 kg (9.4 lbs)

LUMEN MAINTENANCE & DRIVER LIFETIME^{8,9}

25°C

50°C

L₉₀ (18k)

> 39,600

> 31,800

L₈₀ (18k)

> 83,300

> 66,900

L₇₀ (18k)

> 133,000

> 106,800

Driver Lifetime

120,000

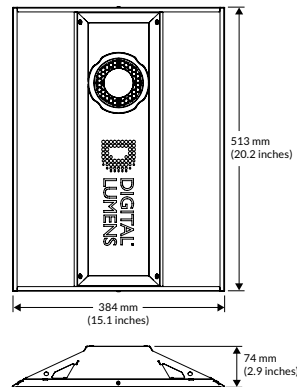
100,000

Footnote:

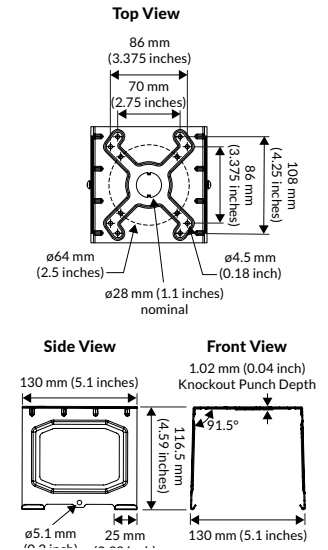
* Specifications presented are based on the CLE-1 version. CLE-2 version specifications will have equivalent photometric performance. Please contact support@digitallumens.com for specific details.

Dimensions

Luminaire



Fixed Mount/ Pendant Bracket



Illuminance at Distance

UL

Aisle Optic

	Center Beam fc		Beam Spread	
	Horizontal	Vertical	Horizontal	Vertical
3 m (10 ft)	148	4 m (13 ft)	8.2 m (27 ft)	
6.1 m (20 ft)	37	8 m (26 ft)	16.4 m (54 ft)	
9.1 m (30 ft)	16	12.2 m (40 ft)	24.7 m (81 ft)	
12.2 m (40 ft)	9	16.1 m (53 ft)	32.6 m (107 ft)	
15.2 m (50 ft)	6	20.1 m (66 ft)	41 m (134 ft)	

Wide Diffuse Optic

	Center Beam fc		Beam Spread	
	Horizontal	Vertical	Horizontal	Vertical
3 m (10 ft)	122	8 m (26 ft)	8 m (26 ft)	
6.1 m (20 ft)	30	15.5 m (51 ft)	16 m (52 ft)	
9.1 m (30 ft)	14	23.5 m (77 ft)	23.8 m (78 ft)	
12.2 m (40 ft)	8	31.4 m (103 ft)	31.6 m (104 ft)	
15.2 m (50 ft)	5	x m (128 ft)	40 m (130 ft)	

CE

Aisle Optic

	Center Beam fc		Beam Spread	
	Horizontal	Vertical	Horizontal	Vertical
3 m (10 ft)	104	8.5 m (28 ft)	8.5 m (28 ft)	
6.1 m (20 ft)	26	17.4 m (57 ft)	17.1 m (56 ft)	
9.1 m (30 ft)	12	26 m (85 ft)	26 m (85 ft)	
12.2 m (40 ft)	7	34.4 m (113 ft)	34.4 m (113 ft)	
15.2 m (50 ft)	4	43.3 m (142 ft)	43 m (141 ft)	

Wide Diffuse Optic

	Center Beam fc		Beam Spread	
	Horizontal	Vertical	Horizontal	Vertical
3 m (10 ft)	103	8.5 m (28 ft)	8.5 m (28 ft)	
6.1 m (20 ft)	26	17.4 m (57 ft)	17.1 m (56 ft)	
9.1 m (30 ft)	11	26 m (85 ft)	26 m (85 ft)	
12.2 m (40 ft)	6	35 m (114 ft)	34.4 m (113 ft)	
15.2 m (50 ft)	4	43.3 m (142 ft)	43 m (141 ft)	

Wide Clear Optic

	Center Beam fc		Beam Spread	
	Horizontal	Vertical	Horizontal	Vertical
3 m (10 ft)	121	8.5 m (28 ft)	8.5 m (28 ft)	
6.1 m (20 ft)	30	17.4 m (57 ft)	17.1 m (56 ft)	
9.1 m (30 ft)	13	26 m (85 ft)	26 m (85 ft)	
12.2 m (40 ft)	8	35 m (114 ft)	34.4 m (113 ft)	
15.2 m (50 ft)	5	43.3 m (142 ft)	43 m (141 ft)	

CLE-N2

Specifications*

PERFORMANCE

UL

Color Temperature⁴

- 5,000 K CCT
- 4,000 K CCT

Lumen Output (nominal)⁵

- 45,812 lm (5,000 K)
- 46,441 lm (4,000 K)

Power Consumption

- 314 W (5,000 K)
- 323 W (4,000 K)

Efficacy⁶

- 146 lm/W (5,000 K)
- 144 lm/W (4,000 K)

CRI

- 80 minimum, 82 typical

Input Voltage⁷

- 120 to 277 VAC, 50/60 Hz Standard Voltage (ST)
- 347 to 480 VAC, 50/60 Hz High Voltage (HV)

CE

Color Temperature⁴

- 5,000 K CCT
- 4,000 K CCT

Lumen Output (nominal)⁵

- 40,716 lm (5,000 K)
- 40,827 lm (4,000 K)

Power Consumption

- 311 W (5,000 K)
- 315 W (4,000 K)

Efficacy⁶

- 131 lm/W (5,000 K)
- 130 lm/W (4,000 K)

CRI

- 80 minimum, 82 typical

Input Voltage⁷

- 220 to 240 VAC, 50/60 Hz

PHYSICAL

Dimensions (H x W x D)

- 777 x 518 x 84 mm (30.6 x 20.4 x 3.3 inches)

Weight

- 8.6 kg (18.8 lbs)

LUMEN MAINTENANCE & DRIVER LIFETIME^{8,9}

25°C

50°C

L₉₀ (18k)

> 34,600

> 31,800

L₈₀ (18k)

> 83,300

> 66,900

L₇₀ (18k)

> 133,000

> 106,800

Driver Lifetime

120,000

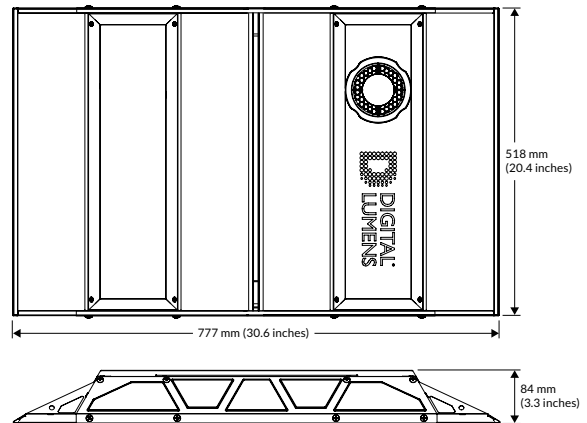
100,000

Footnote:

* Specifications presented are based on the CLE-1 version. CLE-2 version specifications will have equivalent photometric performance. Please contact support@digitallumens.com for specific details.

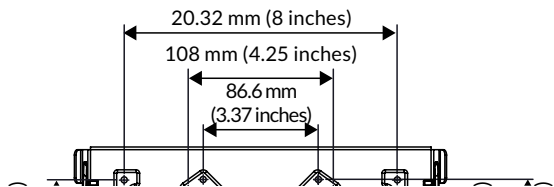
Dimensions

Luminaire



Fixed Mount/Pendant Bracket

Top View



Illuminance at Distance

UL

Aisle Optic

	Center Beam fc	Beam Spread	
3 m (10 ft)	204	8 m (26 ft)	4 m (13 ft)
6.1 m (20 ft)	51	15.5 m (51 ft)	82 m (27 ft)
9.1 m (30 ft)	23	23 m (76 ft)	12.2 m (40 ft)
12.2 m (40 ft)	13	31.1 m (102 ft)	16.5 m (54 ft)
15.2 m (50 ft)	8	39 m (127 ft)	20.4 m (67 ft)

Wide Diffuse Optic

	Center Beam fc	Beam Spread	
3 m (10 ft)	175	8 m (26 ft)	8 m (26 ft)
6.1 m (20 ft)	44	16 m (52 ft)	16 m (52 ft)
9.1 m (30 ft)	19	23.5 m (77 ft)	23.8 m (78 ft)
12.2 m (40 ft)	11	31.4 m (103 ft)	31.6 m (104 ft)
15.2 m (50 ft)	7	39.3 m (129 ft)	40 m (130 ft)

CE

Aisle Optic

	Center Beam fc	Beam Spread	
3 m (10 ft)	209	8 m (26 ft)	4 m (13 ft)
6.1 m (20 ft)	52	15.5 m (51 ft)	82 m (27 ft)
9.1 m (30 ft)	23	23 m (76 ft)	12.2 m (40 ft)
12.2 m (40 ft)	13	31.1 m (102 ft)	31.1 m (102 ft)
15.2 m (50 ft)	8	39 m (127 ft)	20.4 m (67 ft)

Wide Diffuse Optic

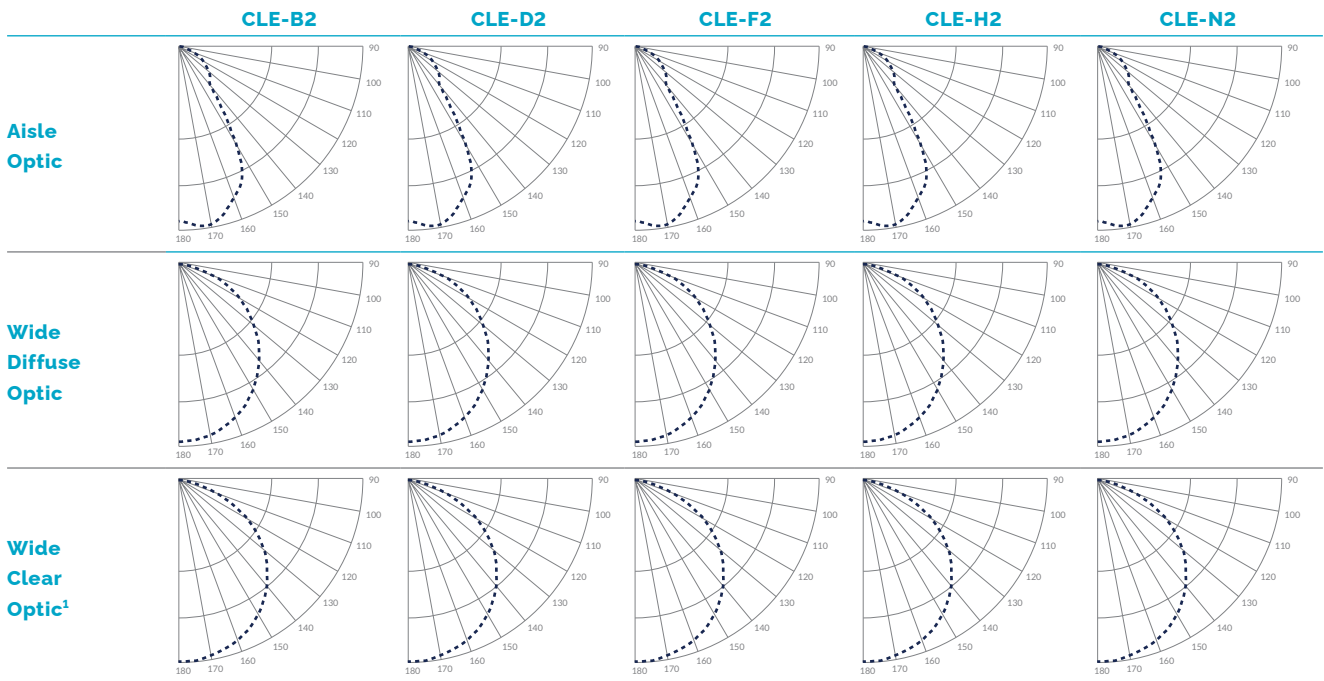
	Center Beam fc	Beam Spread	
3 m (10 ft)	179	8 m (26 ft)	8 m (26 ft)
6.1 m (20 ft)	45	16 m (52 ft)	16 m (52 ft)
9.1 m (30 ft)	20	23.5 m (77 ft)	23.8 m (78 ft)
12.2 m (40 ft)	11	31.4 m (103 ft)	31.6 m (104 ft)
15.2 m (50 ft)	7	39.3 m (129 ft)	40 m (130 ft)

Wide Clear Optic

	Center Beam fc	Beam Spread	
3 m (10 ft)	210	8 m (26 ft)	8 m (26 ft)
6.1 m (20 ft)	52	16 m (52 ft)	16 m (52 ft)
9.1 m (30 ft)	23	23.5 m (77 ft)	23.8 m (78 ft)
12.2 m (40 ft)	13	31.4 m (103 ft)	31.6 m (104 ft)
15.2 m (50 ft)	8	39.3 m (129 ft)	40 m (130 ft)

Polar Candela Distribution

Fixed Axis -----



Luminaire One-for-One Replacement Guide

The tables below list typical legacy lighting variants and the corresponding CLE luminaires suitable for one-for-one replacement.

	Description	CLE Replacement (Open Areas)	CLE Replacement (Aisles)
Linear Fluorescent	4LT8	CLE-B2-D	CLE-B2-A
	6LT8	CLE-B2-D	CLE-B2-A
	4LT5HO	CLE-D2-D	CLE-D2-A
	8LT8	CLE-D2-D	CLE-D2-A
	6LT5HO	CLE-F2-D	CLE-F2-A
	8LT5HO	CLE-F2-D	CLE-F2-A
	10LT5HO	CLE-H2-D	CLE-H2-A
HID	175 W Metal Halide	CLE-B2-D	CLE-B2-A
	250 W Metal Halide	CLE-D2-D	CLE-D2-A
	400 W Metal Halide	CLE-F2-D	CLE-F2-A

Ordering Information

For ordering information please contact sales@digitallumens.com. To order your CLE Luminaires, use the table below as a guide for encoding item numbers. Select a luminaire type (lumen output), voltage, optic, and CRI/CCT, and then use the hyphenated character codes to build a part number (eg. **CLE-B2-ST-A-853**).

Note: For short/standard lead times, select options in **bold**.

North America

Luminaire	Type	Voltage	Optic	CRI/CCT	
CLE	-B2	Standard Voltage, 100 – 277 VAC		-843 80 CRI / 82 TYP 4,000 K BBDCLE Compatible Lightelligence Port	
	-D2			-849 80 CRI / 82 TYP 4,000 K BBDCLE Compatible No Sensor	
	-F2			-A Aisle	-853 80 CRI / 82 TYP 5,000 K BBDCLE Compatible Lightelligence Port
	-H2			-D Wide Diffuse	-859 80 CRI / 82 TYP 5,000 K BBDCLE Compatible No Sensor
	-N2				-842 80 CRI / 82 TYP 4,000 K BBDCLE Compatible Lightelligence Port
	-D2				-849 80 CRI / 82 TYP 4,000 K BBDCLE Compatible No Sensor
	-F2			-A Aisle	-852 80 CRI / 82 TYP 5,000 K BBDCLE Compatible Lightelligence Port
	-H2			-D Wide Diffuse	-859 80 CRI / 82 TYP 5,000 K BBDCLE Compatible No Sensor
	-N2				

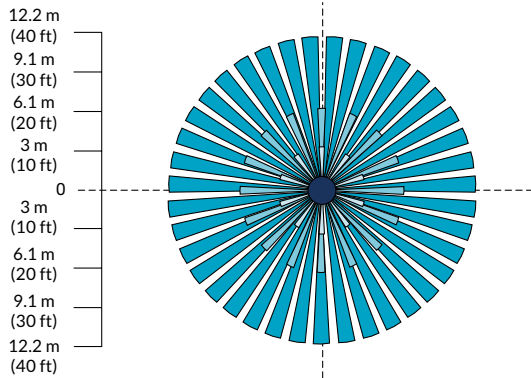
International

Luminaire	Type	Voltage	Optic	CRI/CCT		
CLE	-B2	220 – 240 VAC		-843 80 CRI / 82 TYP 4,000 K BBDCLE Compatible Lightelligence Port		
	-D2			-849 80 CRI / 82 TYP 4,000 K BBDCLE Compatible No Sensor		
	-F2			-CE	-D Wide Diffuse	-853 80 CRI / 82 TYP 5,000 K BBDCLE Compatible Lightelligence Port
	-H2			-W Wide Clear	-859 80 CRI / 82 TYP 5,000 K BBDCLE Compatible No Sensor	
	-N2					

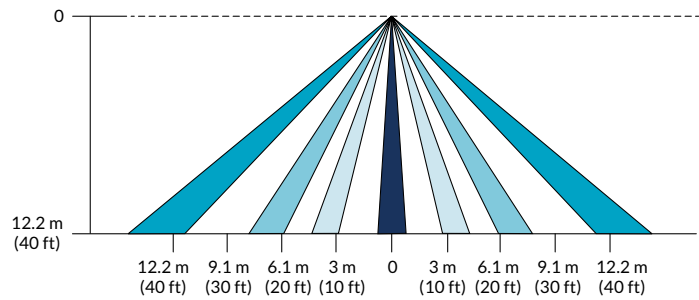
Sensor Coverage

Standard Optic

Top View



Side View



CLE Luminaires & Accessories

CLE-B2

Part Number	Lumens*	Power @ 277 VAC*	Efficacy*
CLE-B2-ST-A-843	10,780	79 W	135 lm/W
CLE-B2-ST-D-843	10,780	78 W	138 lm/W
CLE-B2-ST-A-853	12,010	78 W	154 lm/W
CLE-B2-ST-D-853	11,890	78 W	152 lm/W
CLE-B2-CE-A-843	10,819	78 W	139 lm/W
CLE-B2-CE-D-843	9,274	77 W	121 lm/W
CLE-B2-CE-W-843	10,600	77 W	138 lm/W
CLE-B2-CE-A-853	12,010	78 W	154 lm/W
CLE-B2-CE-D-853	10,610	78 W	137 lm/W
CLE-B2-CE-W-853	12,280	78 W	158 lm/W

CLE-D2

Part Number	Lumens*	Power @ 277 VAC*	Efficacy*
CLE-D2-ST-A-843	15,996	114 W	139 lm/W
CLE-D2-ST-D-843	15,940	114 W	140 lm/W
CLE-D2-ST-A-853	17,540	115 W	153 lm/W
CLE-D2-ST-D-853	17,640	115 W	153 lm/W
CLE-D2-CE-A-843	14,942	114 W	132 lm/W
CLE-D2-CE-D-843	13,490	114 W	119 lm/W
CLE-D2-CE-W-843	15,530	114 W	137 lm/W
CLE-D2-CE-A-853	17,540	114 W	154 lm/W
CLE-D2-CE-D-853	15,690	114 W	138 lm/W
CLE-D2-CE-W-853	18,230	115 W	159 lm/W

CLE Luminaires & Accessories (cont.)

CLE-F2

Part Number	Lumens*	Power @ 277 VAC*	Efficacy*
CLE-F2-ST-A-843	18,460	147 W	155 lm/W
CLE-F2-ST-D-843	20,880	149 W	155 lm/W
CLE-F2-ST-A-853	23,220	151 W	154 lm/W
CLE-F2-ST-D-853	23,460	151 W	155 lm/W
CLE-F2-CE-A-843	18,640	147 W	127 lm/W
CLE-F2-CE-D-843	17,620	150 W	118 lm/W
CLE-F2-CE-W-843	20,300	150 W	136 lm/W
CLE-F2-CE-A-853	23,220	150 W	155 lm/W
CLE-F2-CE-D-853	19,730	150 W	132 lm/W
CLE-F2-CE-W-853	22,710	151 W	151 lm/W

CLE-H2

Part Number	Lumens*	Power @ 277 VAC*	Efficacy*
CLE-H2-ST-A-843	30,541	215 W	143 lm/W
CLE-H2-ST-D-843	31,727	216 W	147 lm/W
CLE-H2-ST-A-853	30,703	216 W	143 lm/W
CLE-H2-ST-D-853	31,661	216 W	147 lm/W
CLE-H2-CE-A-843	30,541	215 W	143 lm/W
CLE-H2-CE-D-843	28,655	208 W	138 lm/W
CLE-H2-CE-W-843	32,459	210 W	155 lm/W
CLE-H2-CE-A-853	30,703	216 W	143 lm/W
CLE-H2-CE-D-853	28,929	211 W	138 lm/W
CLE-H2-CE-W-853	32,715	213 W	154 lm/W

CLE Luminaires & Accessories (cont.)

CLE-N2

Part Number	Lumens*	Power @ 277 VAC*	Efficacy*
CLE-N2-ST-A-843	44,964	323 W	140 lm/W
CLE-N2-ST-D-843	46,441	323 W	144 lm/W
CLE-N2-ST-A-853	43,219	310 W	140 lm/W
CLE-N2-ST-D-853	45,812	314 W	146 lm/W
CLE-N2-CE-A-843	44,964	323 W	140 lm/W
CLE-N2-CE-D-843	40,827	315 W	130 lm/W
CLE-N2-CE-W-843	46,894	314 W	150 lm/W
CLE-N2-CE-A-853	43,219	310 W	140 lm/W
CLE-N2-CE-D-853	40,716	311 W	131 lm/W
CLE-N2-CE-W-853	45,796	310 W	148 lm/W

Lightelligence Sensing and Communications Modules

Part Number	Description
PIR	PIR Module
PIR-BLE	PIR-BLE Module

Accessories

Part Number	Description
DHHAS	Aircraft Cable Hanging Hardware, 5-pack
CHHRM	Fixed Mount Hanging Hardware, 5-pack
CHHRM1	Fixed Mount Hanging Hardware for -NX, 4-pack

Footnotes:

* Specifications presented are based on the CLE-1 version. CLE-2 version specifications will slightly increase and will have equivalent photometric performance. Please contact support@digitallumens.com for specific details.

¹ Calculated in nominal application environment.

² Wide Clear optic option available for -CE luminaire variants only.

³ Clean with mild soap and water only. Maintain 10 ft (3 m) setback from walls open to exterior.

⁴ Nominal CCT, as defined by ANSI C78.377-2008.

⁵ Diffuse optic.

⁶ Efficacy values vary with optic option. See DLC QPL for variant details.

⁷ Input ratings may vary for international certifications.

⁸ LEDs are driven below current rated current limit to enhance efficiency and increase lifetime of the LEDs. Drivers are tested at ambient (25°C), 100% continuous duty. Driver design target is always minimum > 50,000 hours at 25°C.

⁹ LM-79, LM-80 tests and reports are performed in accordance to IESNA standards, per TM-21. Lumen maintenance calculated in hours (L70 via TM-21) based on continuous operation.

¹⁰ High-Voltage option available for -D1, -F1, -H1, and -N1 variants only.

BBDCLE—Battery Backup

Specifications

PERFORMANCE

Input Voltage

- 120 to 480 VAC, 100 mA @ 120 VAC

Output Voltage

- 20.5 W, 80-200 VDC — UL
- 10.3 W, 80-200 VDC — CE

ENVIRONMENTAL

Runtime

- 90 minutes — UL
- 180 minutes — CE

Operating Temperature

- 0° to 50°C (32° to 122°F) — UL
- 0° to 25°C (32° to 77°F) — CE

PHYSICAL

Battery Type

- NiMH

Dimensions (H x W x D)

- 123 x 390 x 134 mm (4.8 x 15.3 x 5.2 inches)

Weight

- 2.1 kg (4.6 lbs)

WARRANTY

- 5-Year Limited

CERTIFICATIONS & SAFETY

Approbation

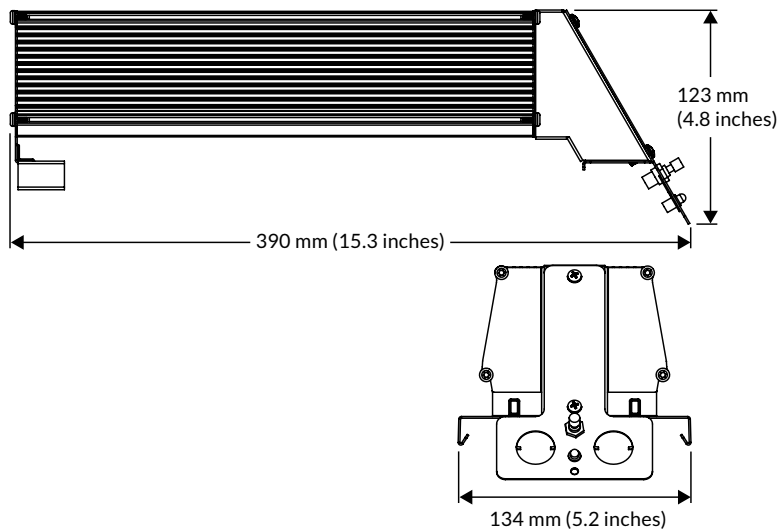
- UL/cUL, CE, FCC

Environmental Suitability

- IP20



Dimensions



Ordering Information

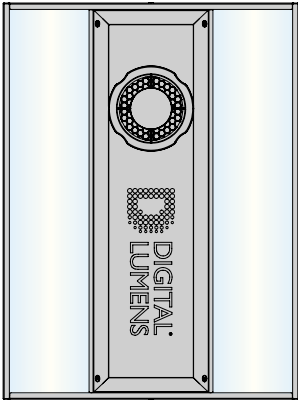
- BBDCLE suitable for CLE luminaires that are BBDCLE-compliant (-843 and -853)
- Output across models remains approximately 4,000 lumens

Battery Backups

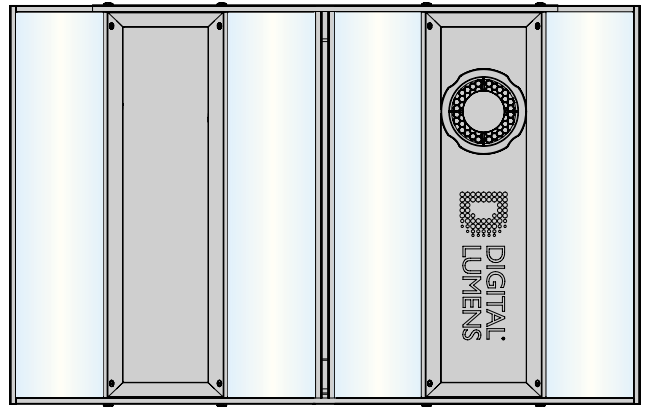
Part Number	Description
BBDCLE-UL	Battery Backup — UL
BBDCLN1-UL	Battery Backup, NX Luminaire — UL
BBDCLE-CE	Battery Backup — CE
BBDCLN1-CE	Battery Backup, NX Luminaire — CE

BBDCLE Illumination Area

CLE-B2/D2/F2/H2

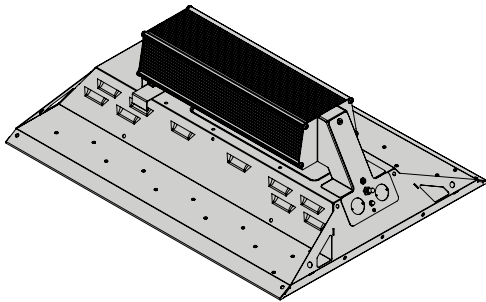


CLE-N2

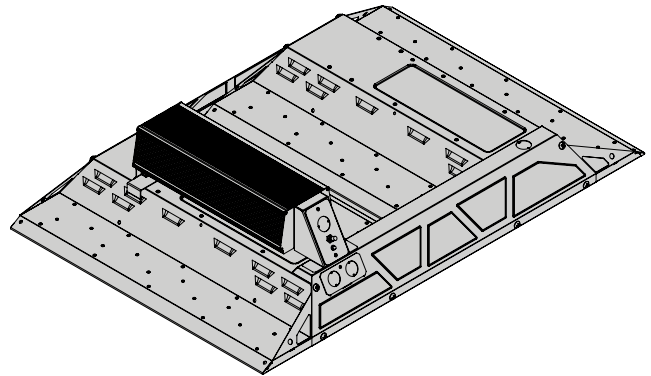


BBDCLE Assembly

CLE-B2/D2/F2/H2

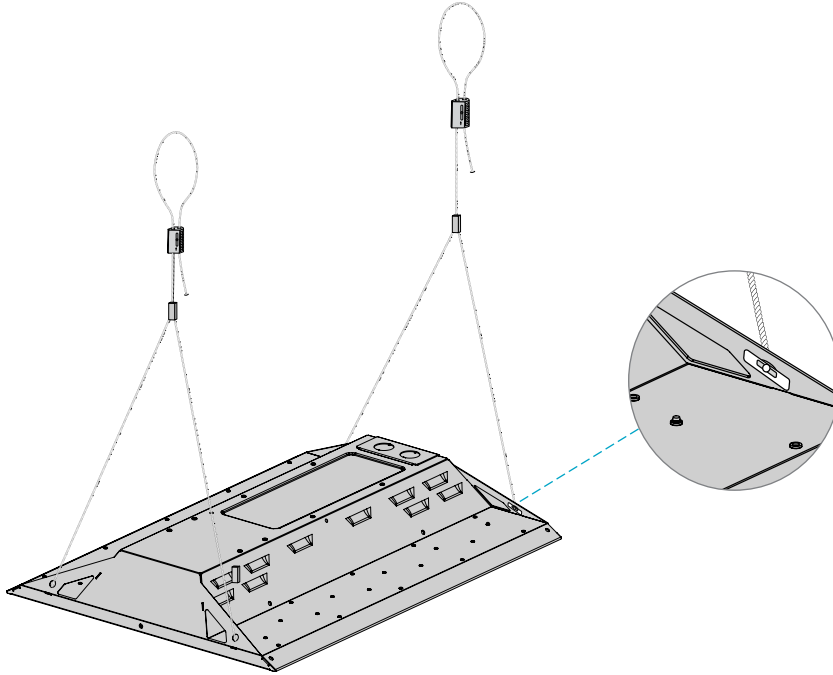


CLE-N2

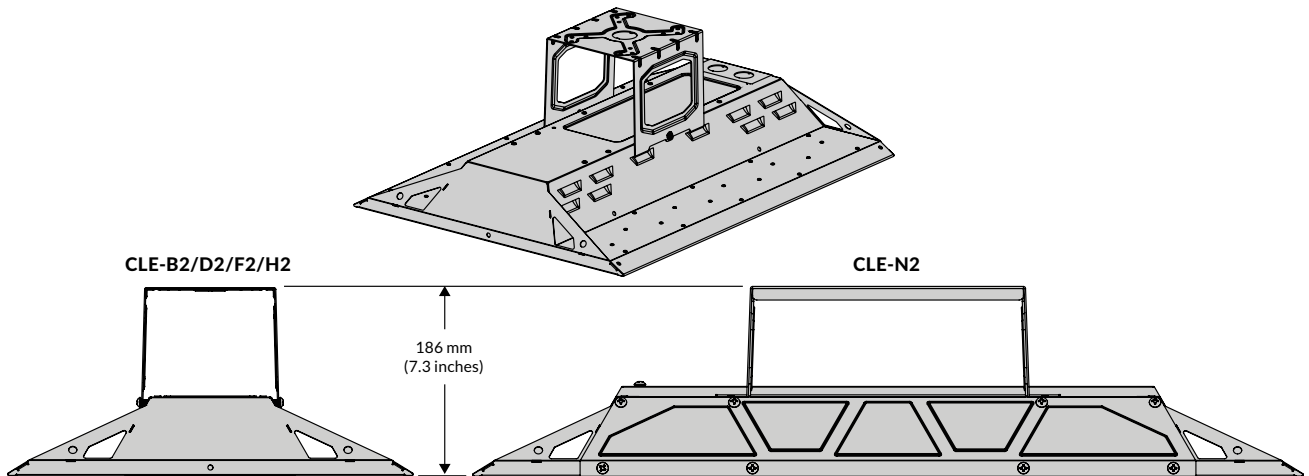


Mounting Options

Aircraft Cable



Fixed Mount



Copyright © 2023 Digital Lumens, Incorporated. All rights reserved.

Digital Lumens, the Digital Lumens logo, We Generate Facility Wellness, SiteWorx, LightRules, and Lightelligence, and any other trademark, service mark, or tradename (collectively "the Marks") are either trademarks or registered trademarks of Digital Lumens, Inc. in the United States and/or other countries, or remain the property of their respective owners that have granted Digital Lumens, Inc. the right and license to use such Marks and/or are used herein as nominative fair use. Due to continuous improvements and innovations, specifications may change without notice.

PUB-001026-00 Rev E 12-22