

SCN-CLM

Connected Lighting Module

Date: _____

Quantity: _____

Company: _____

Project: _____



The SiteWorx **SCN-CLM** is a luminaire-integrated, Connected Lighting Module that makes any luminaire, from any manufacturer, intelligent. The SCN-CLM brings wireless coordinated control and SiteWorx Tune compatibility to third-party luminaires via an unobtrusive and easily mounted form factor.

SiteWorx Application

- SiteWorx Tune



Key Features & Benefits

- Coordinated control and lighting optimization to maximize energy savings
- Actionable facility usage data in real-time with SiteWorx Tune
- Enables each luminaire to be controlled via a DLA or SCN and configured to best meet the needs of the facility
- Enables SiteWorx® Tune application to optimize your lighting and reduce energy use
- Incorporates and extends the SiteWorx wireless mesh network

Specifications

SENSING AND CONTROL

Lighting Control Insights

- Allows monitoring of third-party luminaires' energy consumption, operational status, and faults

Lighting Control

- Provides On/Off and precise 0% to 100% dimming for third-party 0-10V luminaires, when coupled with a DLA or SCN
- Fully enables SiteWorx Tune lighting control capabilities, including task tuning, daylight harvesting, scheduled and automatic setback, and coordinated control

Network Communication

- SiteWorx Wireless Mesh Network IEEE 802.15.4 enabling communication with SiteWorx Smart Devices

PERFORMANCE

Dimming Output

- Single 0-10V dimming output, capable of sinking 3 mA (this is equivalent to 10 typical dimming ballasts/drivers)

ELECTRICAL

Power Consumption

- 0.3 W

Input Voltage

- 12 VDC (0-10V with AUX connection ONLY)
- 18 to 24 VDC (DALI Driver with Self-Powered DALI Link)

Input Current

- Typically <40 mA

Radio Frequency

- 2.4 GHz

Connection Ports

- DALI/DEXAL +
- DALI/DEXAL -
- DIM +
- DIM -
- VDC +
- VDC -

ENVIRONMENTAL

Operating Temperature

- -40° to 60°C (-40° to 140°F)

Operating Humidity

- 0% to 95%, non-condensing

PHYSICAL

Enclosure

- Nylon

Dimensions

- 48.5 x 21.4 x Ø34 mm (1.9 x 0.84 x Ø1.34 inches)

Weight

- 233 g (8.2 oz)

Mounting Option

- Luminaire Mount

Mounting Hole Diameter

- PG-7 (0.5 inch) trade-size knockout

WARRANTY

- 5-Year Limited

CERTIFICATIONS & SAFETY

Approbations

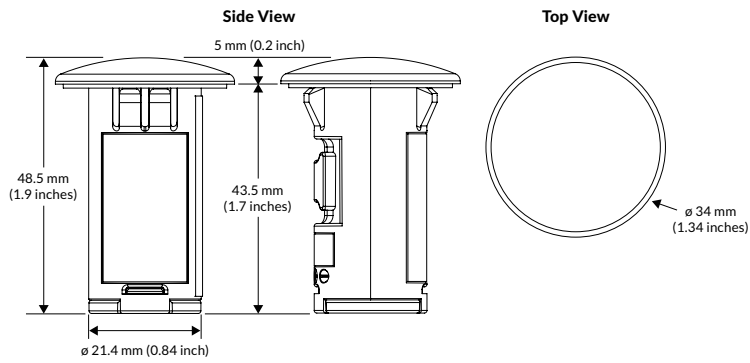
- UL/cUL, CE, UK CA, FCC Part 15 Class A, RoHS Compliant

Environmental Suitability

- IP54



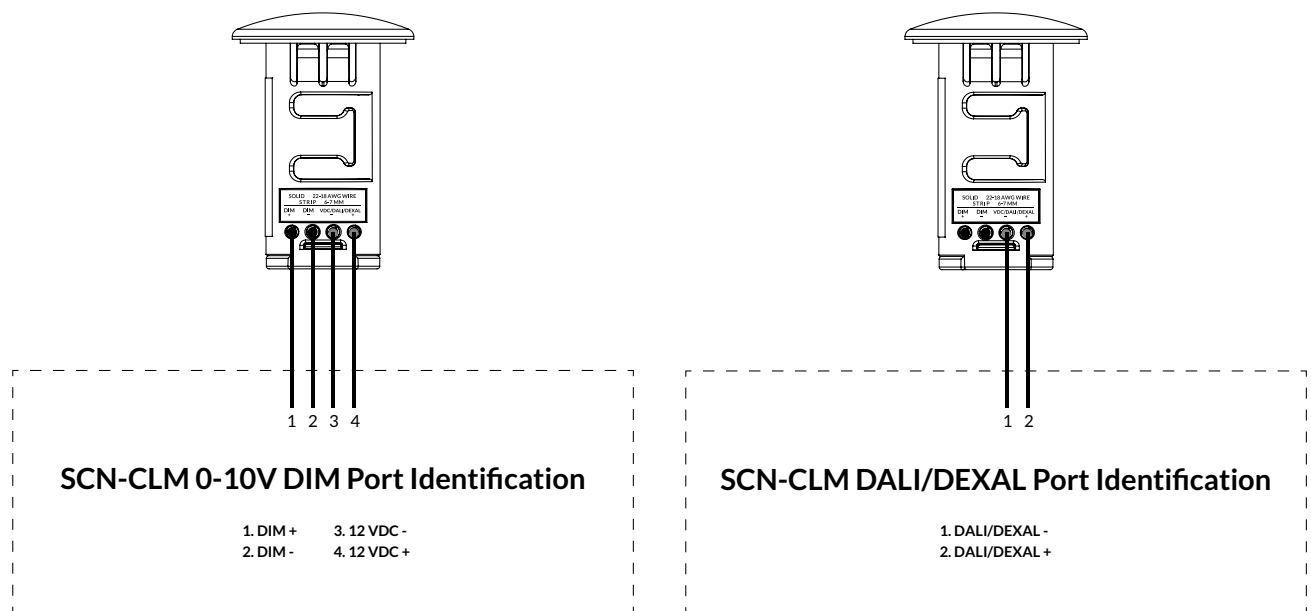
Dimensions



Ordering Information

Part Number	Description
SCN-CLM	SiteWorx Core Node, Connected Lighting Module, 0-10V/DALI/DEXAL

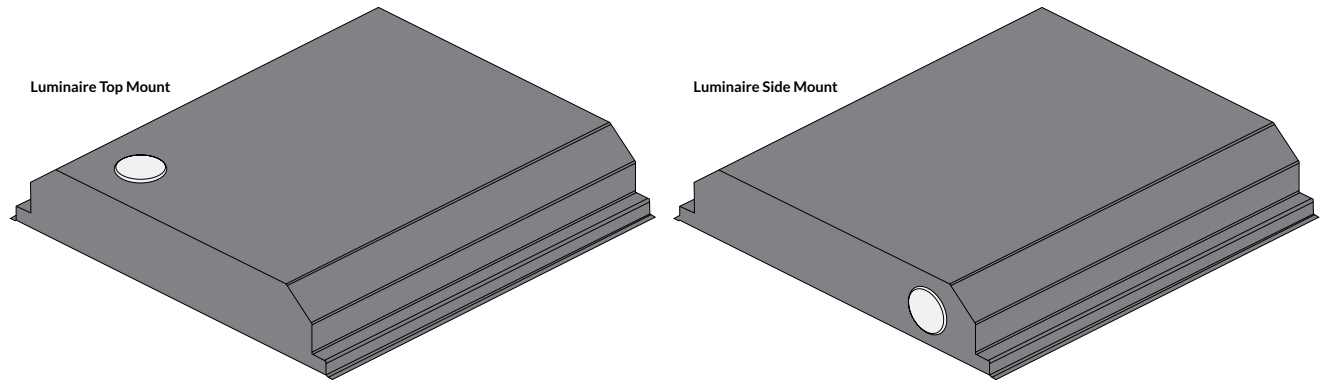
SCN-CLM Wiring Diagrams



NOTE: DEXAL is a DALI driver with self-powered DALI link. See Installation Instructions for additional wiring methods.

Mounting Option

Luminaire Mount



Copyright © 2023 SiteWorx Software USA, LLC.

All rights reserved. SiteWorx, the SiteWorx logo, We Generate Facility Wellness, LightRules, and any other trademark, service mark, or tradename (collectively "the Marks") are either trademarks or registered trademarks of SiteWorx Software USA, LLC in the United States and/or other countries, or remain the property of their respective owners that have granted SiteWorx Software USA, LLC the right and license to use such Marks and/or are used herein as nominative fair use. Due to continuous improvements and innovations, specifications may change without notice.

DOC-004023-00 Rev B 11-23