

SCN-CLM

Connected Lighting Module

Date: _____

Quantity: _____

Company: _____

Project: _____



The SiteWorx **SCN-CLM** is a luminaire-integrated, Connected Lighting Module that makes any luminaire, from any manufacturer, intelligent. The SCN-CLM brings wireless coordinated control and SiteWorx Tune compatibility to third-party luminaires via an unobtrusive and easily mounted form factor.

SiteWorx Application

- SiteWorx Tune



Key Features & Benefits

- Coordinated control and lighting optimization to maximize energy savings
- Actionable facility usage data in real-time with SiteWorx Tune
- Enables each luminaire to be wirelessly controlled via nearby DLA or SCN and configured to best meet the needs of the facility
- Enables SiteWorx[®] Tune application to optimize your lighting and reduce energy use
- Incorporates and extends the SiteWorx wireless mesh network

Specifications

SENSING AND CONTROL

Lighting Control Insights

- Allows monitoring of third-party luminaires' energy consumption

Lighting Control

- Provides On/Off and 0% to 100% continuous dimming (on supported drivers) for LED luminaires
- When coupled with SiteWorx Tune and a nearby SiteWorx occupancy sensor, unlock additional capabilities including Task Tuning, Daylight Harvesting, Setback — all wirelessly, using Coordinated Control

Network Communication

- SiteWorx Wireless Mesh Network IEEE 802.15.4 enabling communication with SiteWorx Smart Devices
- 2.4 GHz Band

Technology Platform

- Incorporates and extends the SiteWorx wireless mesh network

PERFORMANCE

Dimming Output

- Single output supports both 0-10V and DALI dimming interfaces

Device Limit

- DALI
 - Up to (4x) SR or DEXAL drivers, with only (1x) power bus enabled
 - Up to (4x) DALI drivers with separate DALI power supply
- 0-10V
 - Requires driver with auxiliary power, or separate auxiliary power supply
 - Up to 3 mA sinking (equivalent to 10 typical drivers)

ELECTRICAL

Power Consumption

- 0.3 W

Input Voltage

- 12 VDC (0-10V with AUX connection ONLY)
- 18 to 24 VDC (DALI Driver with Self-Powered DALI Link)

Input Current

- Typically <40 mA

Connection Ports

- DIM +
- DIM -
- 12 VDC - / DALI -
- 12 VDC + / DALI +

ENVIRONMENTAL

Operating Temperature

- -40° to 60°C (-40° to 140°F)

Operating Humidity

- 0% to 95%, non-condensing

PHYSICAL

Enclosure

- Nylon

Dimensions

- 48.5 x 21.4 x Ø34 mm (1.9 x 0.84 x Ø1.34 inches)

Weight

- 233 g (8.2 oz)

Mounting Options

- Top Luminaire Mount
- Side Luminaire Mount

Mounting Hole Diameter

- PG-7 (0.5 inch) trade-size knockout

WARRANTY

- 5-Year Limited

CERTIFICATIONS & SAFETY

Approbations

- CE, UKCA, FCC Part 15 Class A, RoHS Compliant

Environmental Suitability

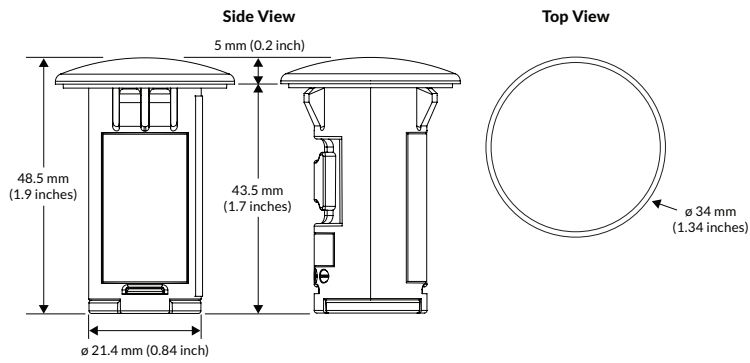
- IP54



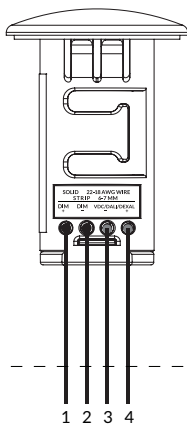
Ordering Information

Part Number	Description
SCN-CLM	SiteWorx Core Node, Connected Lighting Module, 0-10V/DALI/DEXAL

Dimensions

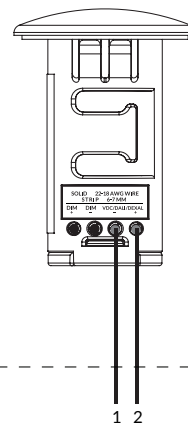


SCN-CLM Wiring Diagrams



SCN-CLM 0-10V DIM Port Identification

- | | |
|----------|-------------|
| 1. DIM + | 3. 12 VDC - |
| 2. DIM - | 4. 12 VDC + |



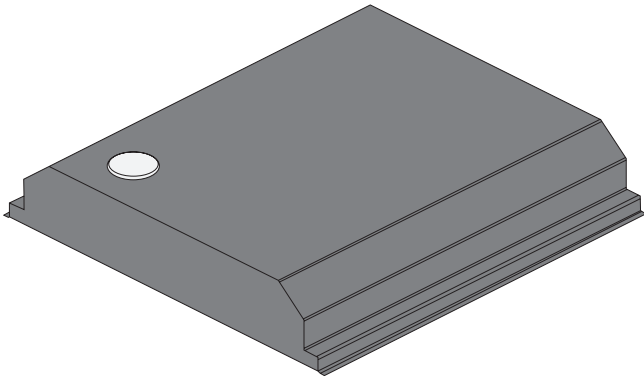
SCN-CLM DALI/DEXAL Port Identification

- | |
|-----------------|
| 1. DALI/DEXAL - |
| 2. DALI/DEXAL + |

NOTE: DEXAL is a DALI driver with self-powered DALI link. See Installation Instructions for additional wiring methods.

Mounting Options

Top Luminaire Mount



Side Luminaire Mount

