

DLA-CA

Smart Circuit Adapter



The **DLA-CA** brings traditional 0-10V dimmable luminaires into the modern world, delivering continuous dimming (on supported drivers) and utility-grade power metering when coupled with any DALI-enabled SCN.

Date: _____

Quantity: _____

Company: _____

Project: _____

SiteWorx Applications

- SiteWorx Tune



Key Features & Benefits

- Allows DALI-enabled SCNs to interface with circuits of multiple 0-10V luminaires
- Utility-grade integrated power metering for circuits up to 7 Amps when coupled with a DALI-enabled SCN
- Smooth, continuous dimming (on supported drivers) to a wide-range of 0-10V LED luminaires when coupled with a DALI-enabled SCN
- Easy mounting into a junction box with a PG-7 (0.5 inch) trade-size knockout
- Suitable for use in a variety of commercial and industrial environments. UL 2043 plenum-rated with small, rugged form factor IP40-rated PC/ABS enclosure, and aluminum enclosure
- Incorporates and extends the SiteWorx wireless mesh network

Specifications

SENSING AND CONTROL

Lighting Control

- Delivers continuous dimming (on supported drivers) and utility-grade power metering when coupled with any DALI-enabled SCN

ELECTRICAL

Input Voltage

- 120 to 277 VAC, 50/60 Hz

Power Consumption

- 0.5 W

Maximum Luminaire Current (Switched AC)

- 7 A

Power and Control Wires

- Mains
 - Black: AC Switched Line
 - White: AC Neutral
 - Green: Ground
- Low-Voltage^{1,2}
 - Purple 0-10 VDC+ Dimming
 - Pink: 0-10 VDC- Dimming
- Digital Control^{1,2}
 - Yellow: DALI- Signal
 - Yellow/White: DALI+ Signal
 - Black: DC- Auxiliary Power
 - Red: DC+ Auxiliary Power

Surge Rating

- Per IEC 60730
- 1 kV line-line / 2 kV line-earth

ENVIRONMENTAL

Operating Temperature

- -30° to 50°C (-22° to 122°F)

Operating Humidity

- 0% to 95%, non-condensing, for indoor use only

PHYSICAL

Enclosure

- PC/ABS Polymer, Aluminum

Dimensions (H x W x D)

- 41 x 104 x 108 mm (1.8 x 4.1 x 4.2 inches)

Weight

- 220 g (7.6 oz)

Mounting Options

- Junction Box Mount (hardware supplied by installer)
- Luminaire Mount

Mounting Hole Diameter

- PG-7 (0.5 inch) trade-size knockout

WARRANTY

- 5-Year Limited

CERTIFICATIONS & SAFETY

Approbations

- ETL, CE, UKCA, FCC Part 15, RoHS

Environmental Suitability

- IP30



Ordering Information

Part Number

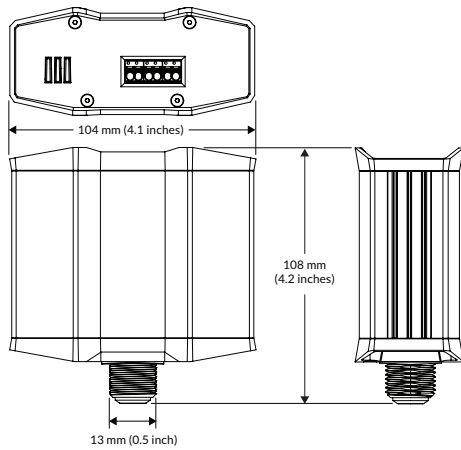
DLA-CA

Footnotes:

¹ 0-10V, DALI, and DC Auxiliary connections are SELV.

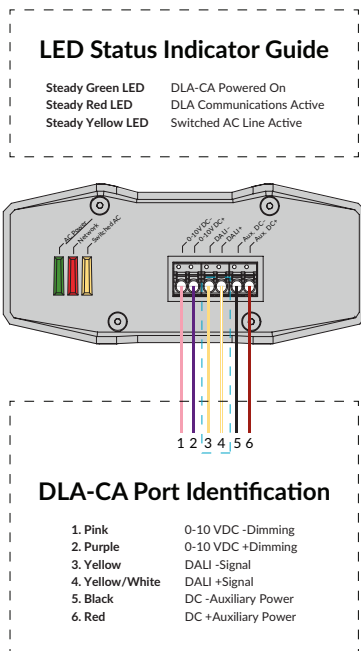
² Use 18-22 AWG wire for low-voltage connections.

Dimensions

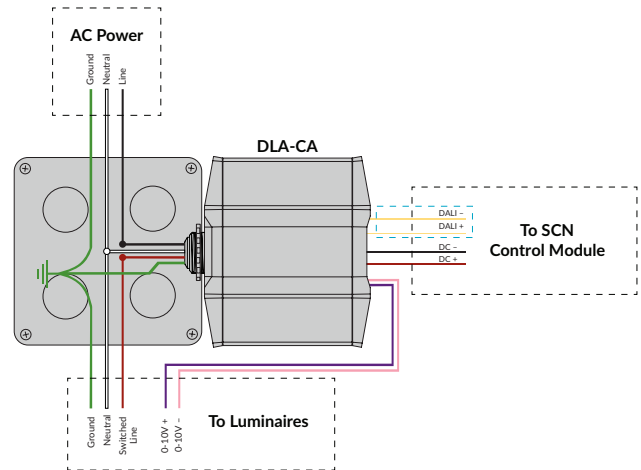


Wiring Diagrams

Connection Terminal



With and Without Auxiliary Power Inputs



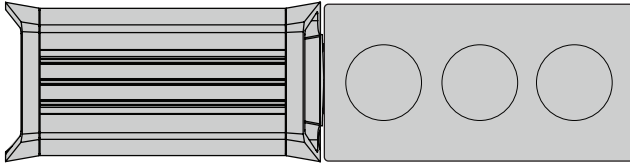
NOTES:

Newer Versions use 2-Wires (Dotted blue line)
Older Versions use 4-Wires (Dotted black line)

See Installation Instructions for additional wiring methods.

Mounting Options

Junction Box Mount



Luminaire Mount

