

DLA-VS

Multi-Purpose Rugged Digital Light Agent



The **DLA-VS** brings wireless sensing and control to any 0-10V or DALI dimmable luminaire.

Designed to be mounted to any flush surface, the DLA-VS delivers advanced controls, powerful reporting, instant alerts, and actionable intelligence when used with SiteWorx Tune intelligent lighting control application.

Date: _____

Quantity: _____

Company: _____

Project: _____

SiteWorx Applications

- SiteWorx Tune



Key Features & Benefits

- Brings the power of SiteWorx® to a wide-range of third-party luminaires
- Continuous dimming (on supported drivers) and utility-grade switched-line power metering (up to the rated amperage)
- One, easy-to-spec form factor to support both standard interfaces - DALI and 0-10V — that's perfect for remote-mounting to control a number of luminaires (up to the rated amperage)
- Sensor performance up to 30.5 m (100 ft) with optional super high-bay lens
- IP66 and NSF rated, the DLA-VS is designed for the most demanding industrial environments
- Incorporates and extends the SiteWorx wireless mesh network

Specifications

SENSING AND CONTROL

Lighting Control Insights

- Enables wireless sensing and control of third-party luminaires

Sensing

- Integrated Passive Infrared (PIR) Sensor for occupancy detection. Occupancy information is collected and movement is detected within the sensor coverage area. The sensor cannot detect or report any Personality Identifiable Information (PII)
- Integrated Photocell Sensor for daylight harvesting strategies to raise or lower light output based on available daylight
- Integrated power monitoring

Network Communication

- SiteWorx Wireless Mesh Network IEEE 802.15.4 enabling communication with SiteWorx Smart Devices
- 2.4 GHz Band

Technology Platform

- Incorporates and extends the SiteWorx wireless mesh network

PERFORMANCE

Dimming Interface

- Dim range based on driver
- 0-10V dimming (sinking only) or DALI-compatible (powered)

DALI Device Limit

- (3x) DALI drivers

0-10V Device Limit

- Refer to Load/Relay rating

ELECTRICAL

Input Voltage

- DALI: 120 to 277 VAC (UL) / 120 to 240 VAC (CE)
- 0-10V: 120 to 480 VAC (UL) / 120 to 240 VAC (CE)

Load/Relay Rating

- DALI: 3.5 A
- 0-10V:
 - 3.5 A @ 120 VAC
 - 1.5 A @ 277 VAC
 - 1.2 A @ 347 VAC
 - 0.67 A @ 480 VAC

Power Consumption

- DALI: 0.5 W
- 0-10V:
 - 0.5 W Standby
 - 1 W Active

Power Wires

- DALI:
 - Brown: Line
 - Blue/White: Neutral
 - Red: Switched Metered Line

Power Wires (cont.)

- 0-10V:
 - Brown: Line
 - Blue: Neutral
 - Red: Switched Metered Line

Control Wires

- DALI:
 - Yellow/White: DALI+
 - Yellow: DALI-
- 0-10V:
 - Purple: 0-10V+
 - Pink: 0-10V-

Surge Rating

- DALI:
 - 1 kV line-neutral
 - 2 kV common
- 0-10V:
 - 1 kV line-neutral
 - 2 kV common

DALI Control Bus Power

- DALI: 60 mA @ 14 VDC typical
- 0-10V: N/A

ENVIRONMENTAL

Operating Temperature

- -20° to 50°C (-4° to 122°F)

Operating Humidity

- 0% to 95% non-condensing

PHYSICAL

Enclosure

- Sabic - Valox™

Dimensions (H x W x D)

- With Tabs
124 x 98 x 124 mm (4.88 x 3.87 x 3.55 inches)
- Without Tabs
97 x 98 x 124 mm (3.83 x 3.87 x 3.55 inches)

Weight

- 289 g (10.2 oz)

Mounting Option

- Surface/Flush mounted

Mounting Height

- Up to 15 m (50 ft) – Standard
- Up to 30.5 m (100 ft) – Optional super high-bay lens

Mounting Hole Diameter

- 65 mm (0.26 inch)

Mounting Hole Spacing

- (2x) centerline; 108 mm (4.25 inches) apart

WARRANTY

- 5-Year Limited

Specifications (cont.)

CERTIFICATIONS & SAFETY

Approbations

- ETL, CE, UKCA, CFR 47 FCC Part 15 Subpart B, NSF

Environmental Suitability

- IP66, ETL Wet Location, NSF/ANSI Standard 2 – Food Equipment



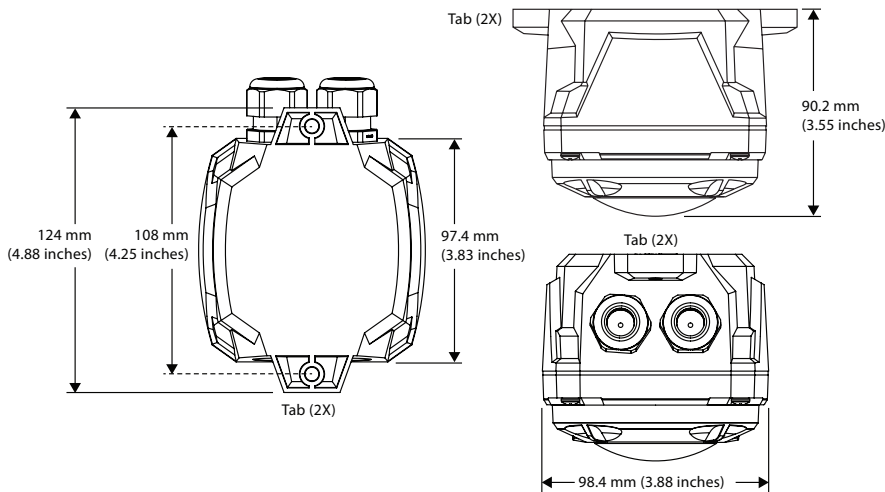
Ordering Information

Part Number	Description
DLA-VS-00-H	0-10V, High Bay
DLA-VS-01-H	DALI, High Bay

Accessory

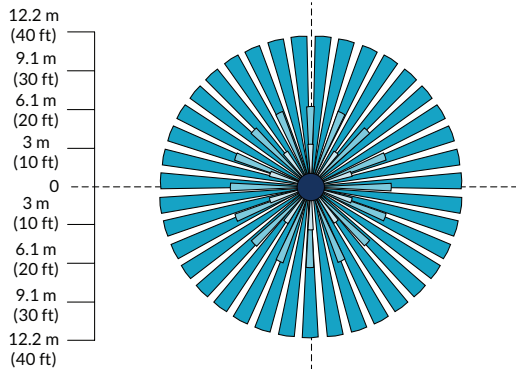
Part Number	Description
DLA-LENS-SHB-5	Digital Light Agent, Super High Bay Lens

Dimensions

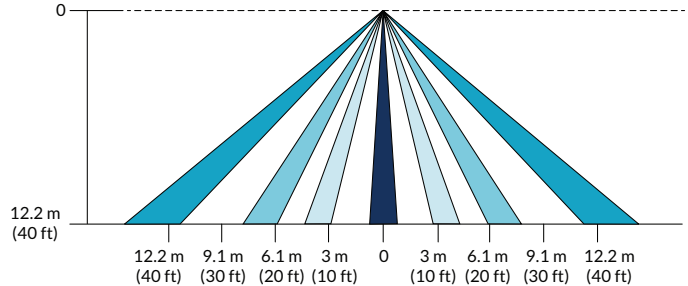


Sensor Coverage

Top View

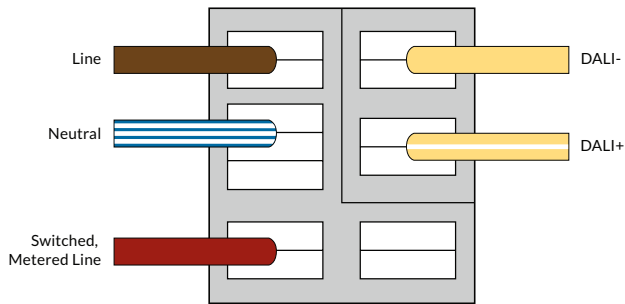


Side View

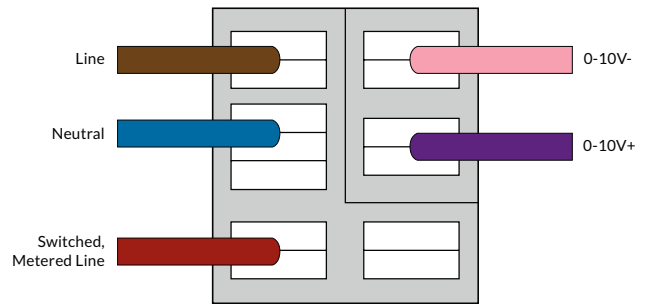


Wiring Diagrams

DALI Terminal Blocks

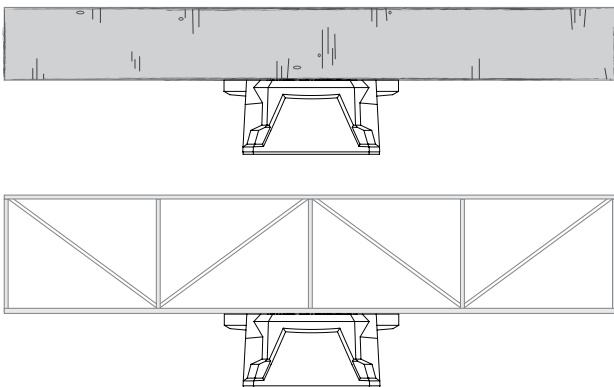


0-10V Terminal Blocks



Mounting Option

Surface/Flush Mount



Copyright © 2024 SiteWorx Software USA, LLC.

All rights reserved. SiteWorx, the SiteWorx logo, We Generate Facility Wellness, LightRules, and any other trademark, service mark, or tradename (collectively "the Marks") are either trademarks or registered trademarks of SiteWorx Software USA, LLC in the United States and/or other countries, or remain the property of their respective owners that have granted SiteWorx Software USA, LLC the right and license to use such Marks and/or are used herein as nominative fair use. Due to continuous improvements and innovations, specifications may change without notice.

DOC-001514-00 Rev I 07-24