

DLA-V

0-10V Rugged Digital Light Agent

Date: _____

Quantity: _____

Company: _____

Project: _____



The **DLA-V** is designed to be integrated directly into third-party luminaires, junction boxes, or pole mounts.

The DLA-V transforms standard 0-10V dimmable luminaires from a range of manufacturers — making them intelligent.

SiteWorx Applications

- SiteWorx Tune



Key Features & Benefits

- Brings the power of SiteWorx® directly into third-party luminaires that use 0-10V drivers
- Continuous dimming (on supported drivers) and utility-grade switched-line power metering (up to the rated amperage)
- All-in-One support for 0-10V luminaires in two form factors, with simple integration using a standard PG-7 (0.5 inch) trade-size knockout
- Sensor performance up to 30.5 m (100 ft) with optional super high-bay lens
- IP66 and NSF rated, the DLA-V is designed for the most demanding industrial environments
- Incorporates and extends the SiteWorx wireless mesh network

Specifications

SENSING AND CONTROL

Lighting Control Insights

- Enables wireless sensing and control of third-party luminaires

Sensing

- Integrated Passive Infrared (PIR) Sensor for occupancy detection. Occupancy information is collected and movement is detected within the sensor coverage area. The sensor cannot detect or report any Personality Identifiable Information (PII)
- Integrated Photocell Sensor for daylight harvesting strategies to raise or lower light output based on available daylight
- Integrated power monitoring

Network Communication

- SiteWorx Wireless Mesh Network IEEE 802.15.4 enabling communication with SiteWorx Smart Devices
- 2.4 GHz Band

Technology Platform

- Incorporates and extends the SiteWorx wireless mesh network

PERFORMANCE

Dimming Interface

- Dim range based on driver
- 0-10V dimming

0-10V Device Limit

- (3x) 0-10V drivers, refer to Load/Relay Rating

ELECTRICAL

Input Voltage

- 120 to 480 VAC

Load/Relay Rating

- 3.5 A @ 120 VAC
- 1.5 A @ 277 VAC
- 1.2 A @ 347 VAC
- 0.8 A @ 480 VAC

Power Consumption

- 1 W Active
- 0.5 W Standby

Power Wires

- Brown: Line
- Blue: Neutral
- Red: Switched Line

Dimming Wires

- Purple/Pink: 0-10V, 50 mA sinking only

Surge Rating

- 4 kV line-neutral per IEC 60730

ENVIRONMENTAL

Operating Temperature

- -20° to 50°C (-4° to 122°F)

Operating Humidity

- 0% to 95% non-condensing

PHYSICAL

Enclosure

- Sabic - Valox™

Dimensions (H x W x D)

- 65 x 97 x 106 mm (2.53 x 3.82 x 4.18 inches)

Weight

- 286 g (10.2 oz)

Mounting Options

- Junction Box Mount using PG-7 (0.5 inch) trade-size knockout
- Luminaire Mount using PG-7 (0.5 inch) trade-size knockout

Mounting Height

- Up to 10.6 m (35 ft) – Standard
- Up to 30.5 m (100 ft) – Optional super high-bay lens

WARRANTY

- 5-Year Limited

CERTIFICATIONS & SAFETY

Approbations

- ETL, ETL-NOM, CE, UKCA, CFR 47 FCC Part 15 Subpart B, NSF

Environmental Suitability

- IP66, UL Wet Location, NSF/ANSI Standard 2 – Food Equipment



Ordering Information

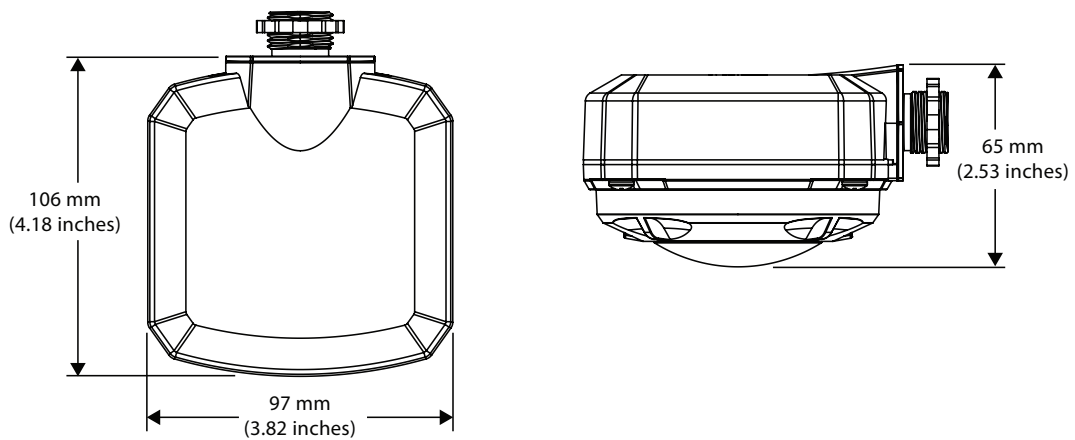
Part Number	Description
DLA-V-00-H	0-10V, High Bay

Accessory

Part Number	Description
DLA-LENS-SHB-5	Digital Light Agent, Super High Bay Lens

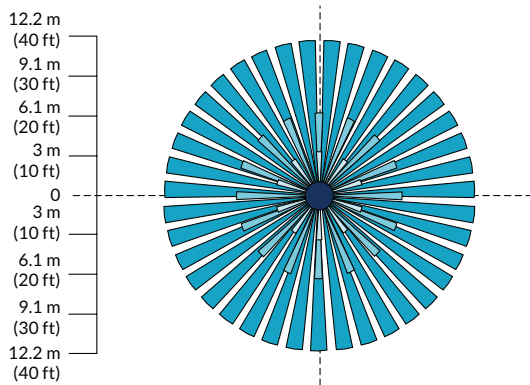
Dimensions

DLA-V

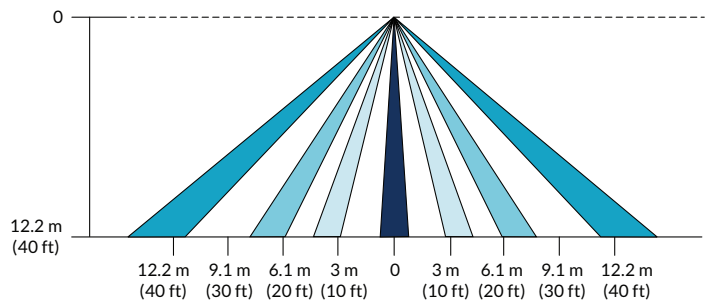


Sensor Coverage

Top View

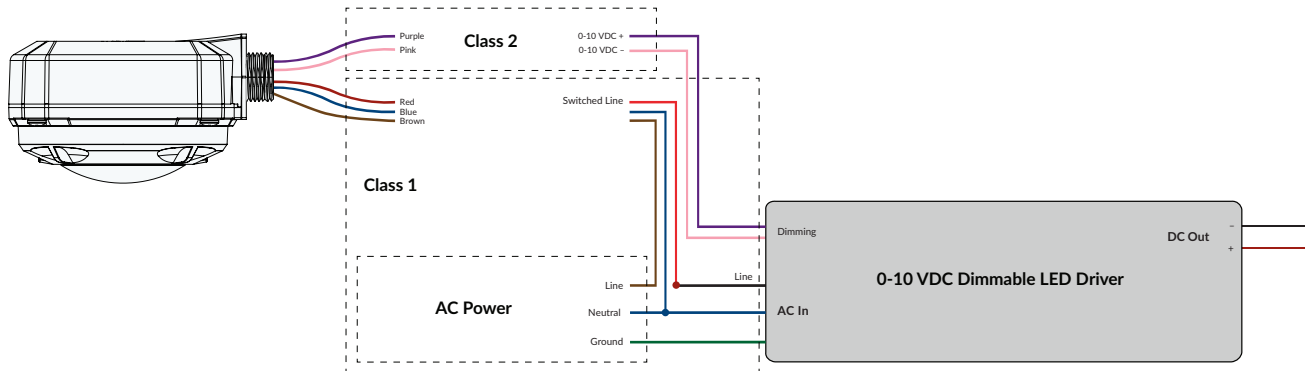


Side View



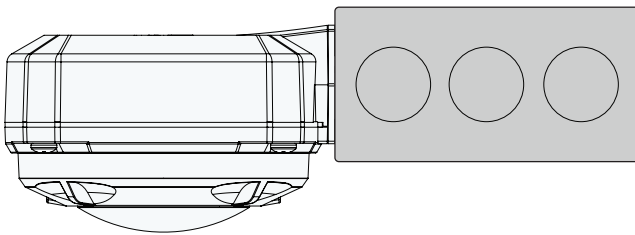
Wiring Diagram

0-10V Wiring



Mounting Options

Junction Box Mount



Luminaire Mount

