

DLGW3

Wireless Network Gateway

Date: _____

Quantity: _____

Company: _____

Project: _____



The **DLGW3** Wireless Network Gateway provides simple and secure communication between Smart Devices and the SiteWorx® Facility Insights Application Suite, enabling data acquisition and providing insights and actions — improving facility efficiency and energy savings.

SiteWorx Applications

- SiteWorx Sense
- SiteWorx Area
- SiteWorx Tune



Key Features & Benefits

- PoE (Power over Ethernet) device, eliminating the need for power service installation
- An external AC/DC power supply can be used when PoE functionality is not available
- Suitable for demanding commercial and industrial environments
- Versatile mounting options including ceilings, walls, and other structures
- Enables communication between Smart Devices and the SiteWorx Facility Insights Application Suite
- Incorporates and extends the SiteWorx wireless mesh network

Specifications

SENSING, CONTROL, AND SECURITY

Smart Device Integration

- Receives and transmits data from smart devices to the SiteWorx Facility Insights Application Suite

Scalable Control

- Fully enables communication between smart devices and SiteWorx Facility Insights Application Suite

Network Communication

- SiteWorx Wireless Mesh Network IEEE 802.15.4 enabling communication with SiteWorx Smart Devices
- 10/100 Ethernet Network Interface

Technology Platform

- Incorporates and extends the SiteWorx wireless mesh network

ELECTRICAL

Power Source

- 13 W maximum PoE (Power over Ethernet)
- Optional AC/DC power supply (ordered separately), 12 to 48 VDC, 3 W maximum¹

Electrical Protection

- Integrated Surge, ESD Protector

Connection Ports

- RJ45 PoE
- Push-in DC power input

LED Indicators²

- Health
- System
- Network
- Mode

ENVIRONMENTAL

Operating Temperature

- -40° to 50°C (-40° to 122°F)

Storage Temperature

- -40° to 50°C (-40° to 122°F)

Operating Humidity

- 0% to 95%, non-condensing

PHYSICAL

Enclosure

- PC

Dimensions (H x W x D)

- 33 x 168 x 119 mm (1.3 x 6.6 x 4.7 inches)

Weight

- 255 g (9 oz)

Mounting Options

- Ceiling (Horizontal) Mount
- Wall (Vertical) Mount

Mounting Hole Diameter

- 6.1 mm (0.24 inch)

Mounting Hole Spacing

- 152 mm (6 inches) center-to-center

Radio Antenna

- External swivel, RP-SMA

WARRANTY

- 5-Year Limited

CERTIFICATIONS & SAFETY

Approbations

- ETL, ETL-NOM, CE, UKCA, FCC Part 15 Class A

Environmental Suitability

- IP51³



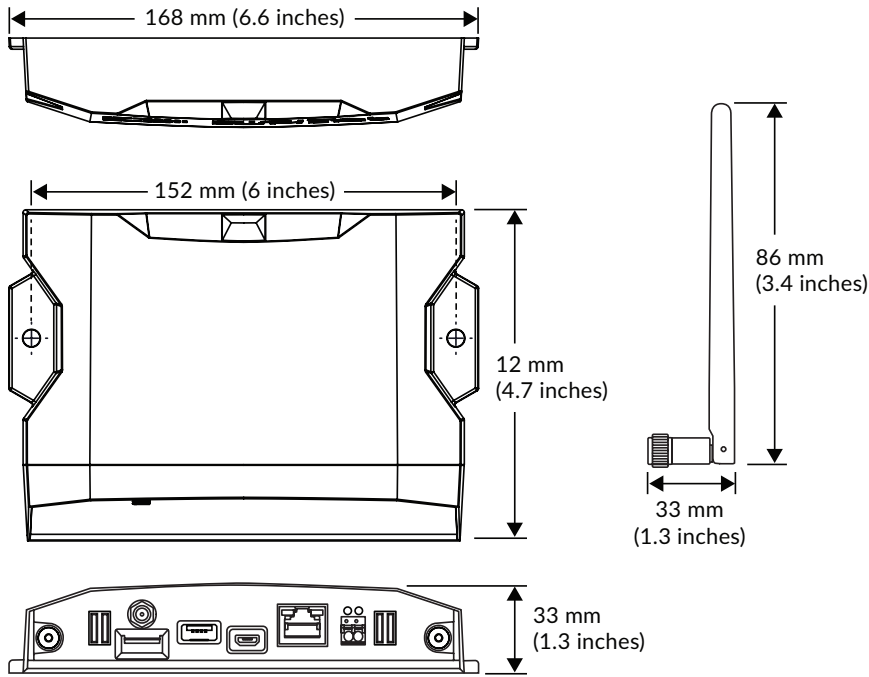
Footnotes:

¹ UL-listed low-voltage power supply for UL installations.

² For LED Indicator Status details, see the DLGW3 Installation Instructions.

³ When mounted properly, as per Installation Instructions.

Dimensions

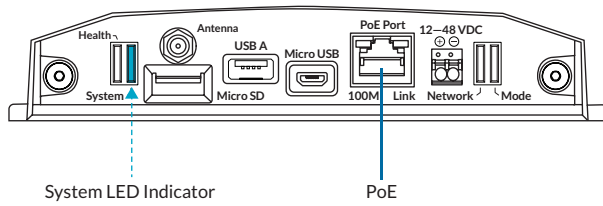


Ordering Information

Part Number	Description
DLGW3	Wireless Network Gateway for SiteWorx

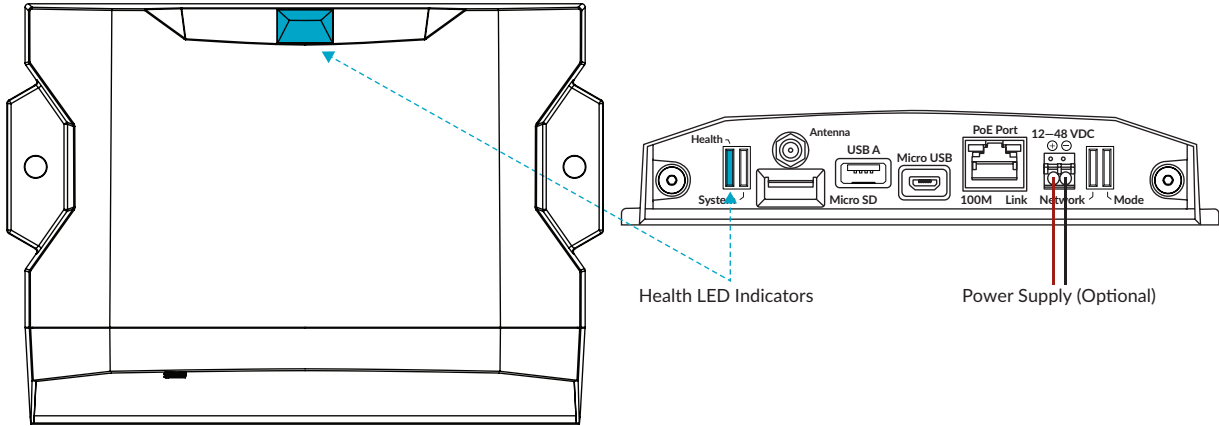
Wiring Diagrams

PoE Port



Wiring Diagrams (cont.)

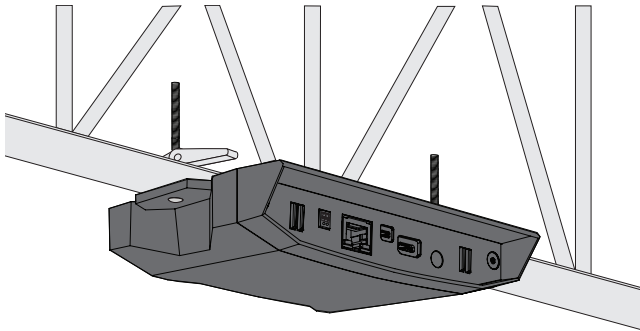
AC/DC Power Supply (Optional)



Mounting Options

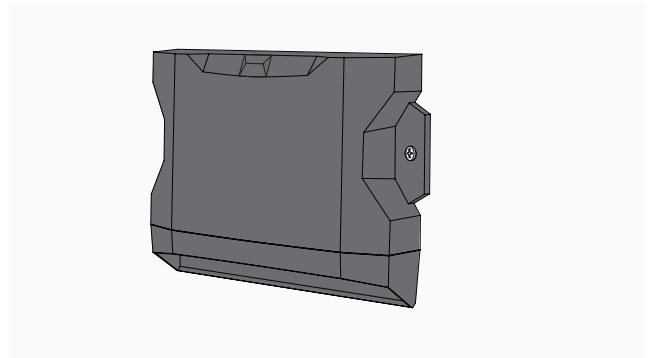
Ceiling (Horizontal) Mount

Mounting hardware is not included.



Wall (Vertical) Mount

Mounting hardware is not included.



Copyright © 2024 SiteWorx Software USA, LLC.

All rights reserved. SiteWorx, the SiteWorx logo, We Generate Facility Wellness, LightRules, and any other trademark, service mark, or tradename (collectively "the Marks") are either trademarks or registered trademarks of SiteWorx Software USA, LLC in the United States and/or other countries, or remain the property of their respective owners that have granted SiteWorx Software USA, LLC the right and license to use such Marks and/or are used herein as nominative fair use. Due to continuous improvements and innovations, specifications may change without notice.

DOC-000401-00 Rev L 07-24