

SCN-R

Recessed Housing Lighting Control Sensor



The **SCN-R** is an adaptive device that brings wireless luminaire-level networked lighting control and SiteWorx compatibility to most third-party LED luminaires.

The SCN-R makes luminaires from a range of manufacturers intelligent.

Date: _____

Quantity: _____

Company: _____

Project: _____

SiteWorx Applications

- SiteWorx Tune
- SiteWorx Area



Key Features & Benefits

- Easily mounted, unobtrusive recessed form factor
- Brings the power of SiteWorx®, including Bluetooth®, to a wide-range of third-party luminaires
- Continuous dimming (on supported drivers) and utility-grade switched-line power metering (when coupled with DLA-CA Adapter)
- Simple, enhanced DALI or 0-10V wiring that doesn't require a separate power supply (on supported drivers)
- Unobtrusive form factor and simple mounting methods make the SCN-R perfect for commercial environments
- Incorporates and extends the SiteWorx wireless mesh network

Specifications

SENSING AND CONTROL

Lighting Control Insights

- Enables wireless sensing and control of third-party luminaires

Sensing

- Integrated Passive Infrared (PIR) Sensor for occupancy detection. Occupancy information is collected and movement is detected within the sensor coverage area. The sensor does not detect or report any Personality Identifiable Information (PII)
- Integrated Photocell Sensor for daylight harvesting strategies to raise or lower light output based on available daylight
- Integrated Bluetooth Low-Energy (BLE) for use with indoor positioning and asset tracking capabilities offered by SiteWorx Area
- SR/DEXAL driver-ready

Network Communication

- SiteWorx Wireless Mesh Network IEEE 802.15.4 enabling communication with SiteWorx Smart Devices
- 2.4 GHz Band
- Integrated Bluetooth Low-Energy (BLE)

Technology Platform

- Incorporates and extends the SiteWorx wireless mesh network

PERFORMANCE

Dimming Interface

- 0-100% continuous dimming range (based on driver)
- 0-10V when used with appropriate drivers (requires auxiliary power, from driver or power supply)
- 0-10 V dimming and switching when used with DLA-CA adapters
- DALI-compatible (requires auxiliary power)

Device Limit

- DALI
 - Up to (4x) DLA-CA
 - Up to (16x) SR or DEXAL drivers, with only (1x) power bus enabled
 - Up to (16x) DALI¹ drivers
- 0-10V with Auxillary Power
 - Up to (16x) 0-10V drivers with auxillary power, with only (1x) power bus connected/enabled

ELECTRICAL

Input Voltage

- DALI
 - 12 to 22.5 VDC, 16 VDC Typical, DALI bus powered
- 0-10V with auxillary
 - 12 to 24 VDC auxillary powered with appropriate driver or other power supply

Power Consumption

- 0.5 W maximum — DALI and 0-10V with auxillary

Power and Control Wires

- DALI
 - Yellow/White: DALI+
 - Yellow: DALI-
- 0-10V with auxillary
 - Purple: 0-10 VDC +Dimming
 - Pink: 0-10 VDC -Dimming
 - Black: Auxillary power

ENVIRONMENTAL

Operating Temperature

- -30° to 50°C (-22° to 122°F)

Operating Humidity

- 0% to 95% non-condensing

PHYSICAL

Enclosure

- PC/ABS Polymer

Dimensions (H x W x D)

- 48 x 116 x 116 mm (1.9 x 4.6 x 4.6 inches)

Weight

- 140 g (5 oz)

Mounting Options

- Ceiling Mount
- Junction Box Mount (round junction box) – 89 mm (3.5 inches), matches standard 102 mm (4 inches)

Mounting Method

- (2x) Fasteners, backing plate

Mounting Height

- 2.4 to 6.1 m (8 to 20 ft)

WARRANTY

- 5-Year Limited

CERTIFICATIONS & SAFETY

Approbations

- ETL, CE, UKCA, FCC Part 15 Class B, CISPR 22

Environmental Suitability

- IP40



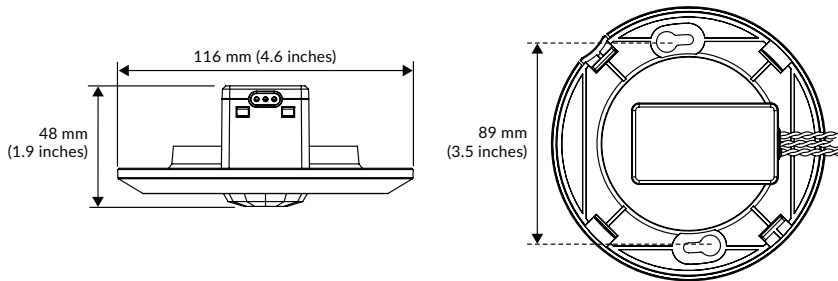
Footnotes:

¹ DALI drivers require a separate DALI power supply in order to power the SCN.

Ordering Information

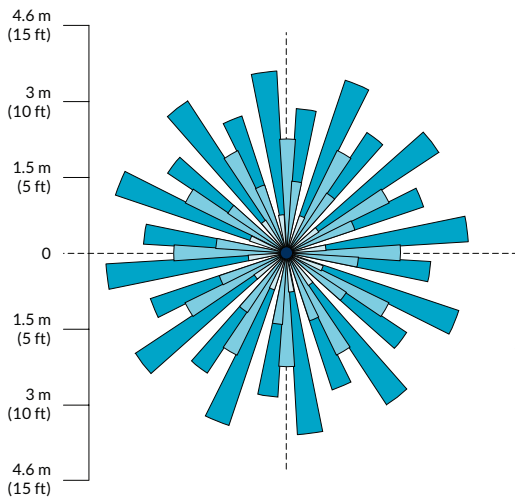
Part Number	Description
SCN-R-00-D	SiteWorx Core Node, Recessed, 0-10V, High Density Lens
SCN-R-01-D	SiteWorx Core Node, Recessed, DALI, High Density Lens

Dimensions

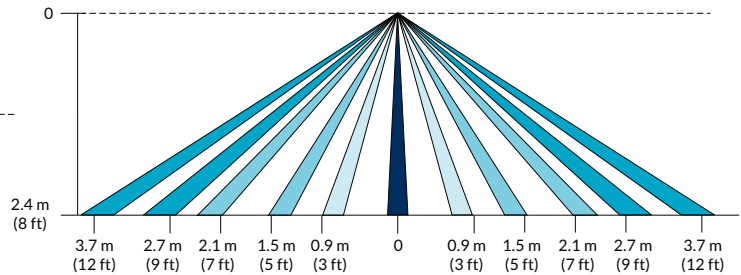


Sensor Coverage

Top View

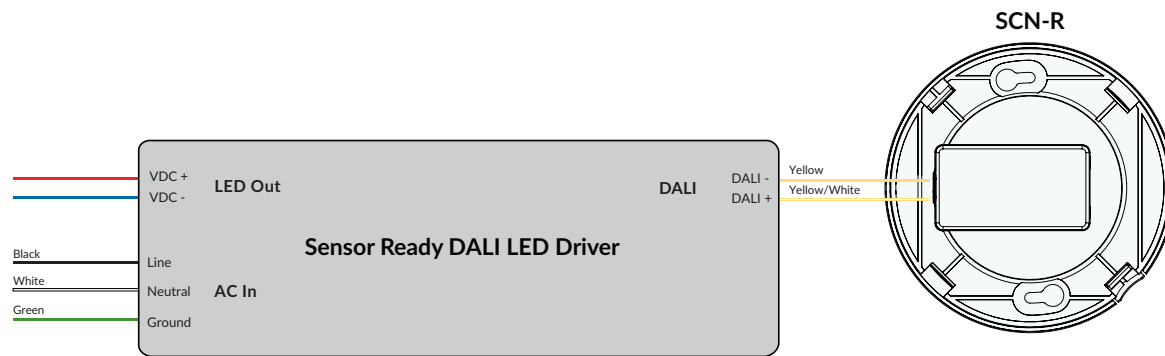


Side View



Wiring Diagrams

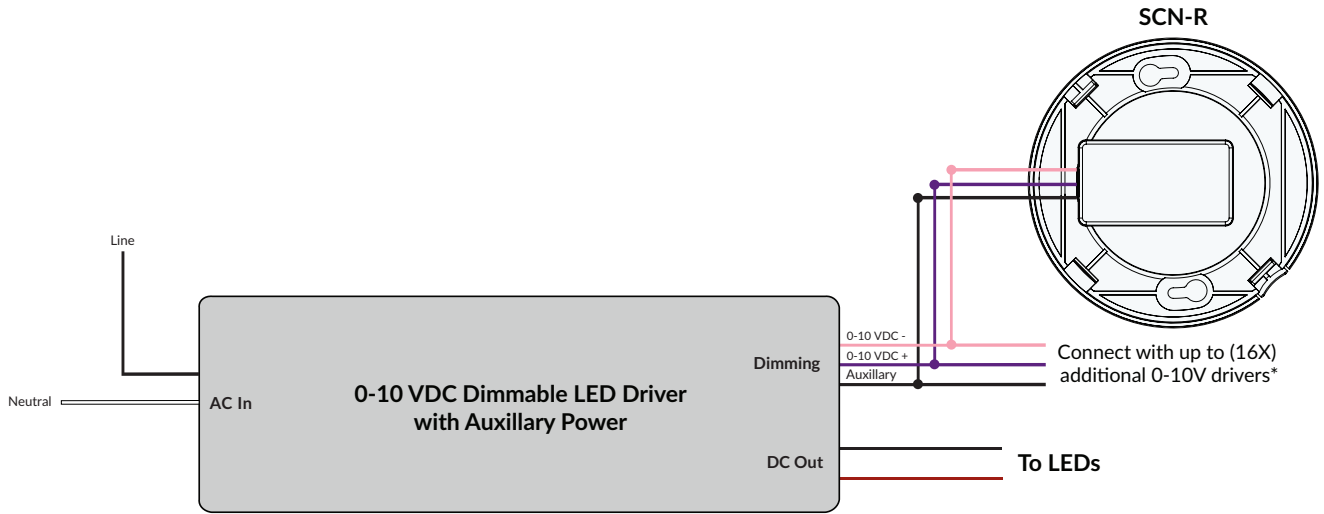
DALI, DEXAL, or SR Driver



NOTE: See Installation Instructions for additional wiring methods.

Wiring Diagrams (cont.)

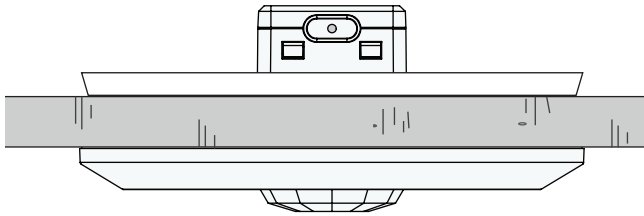
0-10V Driver with Auxiliary Power



*Only one applicable driver may supply AUX voltage. Connecting multiple AUX supplies may damage the SCN.

Mounting Options

Ceiling Mount



Junction Box Mount

