

SWN-CRD

Smart Cord for Intelligent Plug Load Control

Date: _____

Quantity: _____

Company: _____

Project: _____



The SiteWorx **SWN-CRD** Smart Cord is an intelligent plug load control device that automatically enhances energy savings through coordination with occupancy sensors, providing real-time energy savings and validation through integrated power metering.

SiteWorx Application

- SiteWorx Sense



Key Features & Benefits

- Integrated wireless communication with onboard override button
- Supports loads between 120 to 277 VAC (version dependent)
- Designed to work seamlessly with SiteWorx Tune and SiteWorx Sense applications
- Enables coordination between advanced lighting control, occupancy detection, and plug load control to provide process efficiencies and energy savings
- Used with SiteWorx Sense to meter power consumption and manage ON-OFF load control of electrical devices
- Incorporates and extends the SiteWorx wireless mesh network

Specifications

SENSING AND CONTROL

Smart Device Insights

- Allows monitoring of energy consumption, operational status faults of process and utility equipment, and enables predictive maintenance and alarm notifications

Smart Device

- Enables occupancy-based connected device ON-OFF Load Control and Power Consumption data

Network Communication

- SiteWorx Wireless Mesh Network
IEEE 802.15.4 enabling SiteWorx Sense Smart Devices cloud communication

Technology Platform

- Incorporates and extends the SiteWorx wireless mesh network

PERFORMANCE

Power Metering Range

- 4,000 W maximum (16A @250 VAC)
- 4,155 W maximum (15A @277 VAC)

Power Metering Accuracy

- ±4% (5% to 100% of full load)

ELECTRICAL

Input Voltage

- 120 to 277 VAC (plug dependent)

Idle Power Consumption

- 0.5 W quiescent, 1.5 W relay closed

Surge Suppression

- 4 kV line-line, 4 kV line-earth, neutral-earth or line/neutral-earth

Maximum Load Current

- 15A — UL
- 16A — CE

ENVIRONMENTAL

Operating Temperature

- -20° to 40°C (-4° to 122°F)

Operating Humidity

- 0% to 95%, non-condensing

PHYSICAL

Enclosure

- PC/PBT plastic

Dimensions (H x W x D)

- 200 x 71 x 42 mm (7.9 x 2.8 x 1.6 inches)

Weight

- 363 g (12.8 oz)

Mounting Option

- Surface Mount

Mounting Hole Diameter

- 5.5 mm (0.22 inch)

Mounting Hole Spacing

- (2X) 150 x 39 mm (5.9 x 1.5 inches)

Cable Options

- SOOW (NEMA 5-15 connectors — UL)
- H05RN-F (CEE 7/7 and 7/3 — CE)

Cable Length

- 0.8 m (2.6 ft)

WARRANTY

- 5-Year Limited

CERTIFICATIONS & SAFETY

Approbations

- ETL, CE, UKCA, FCC Part 15 Class B, EN60730

Environmental Suitability

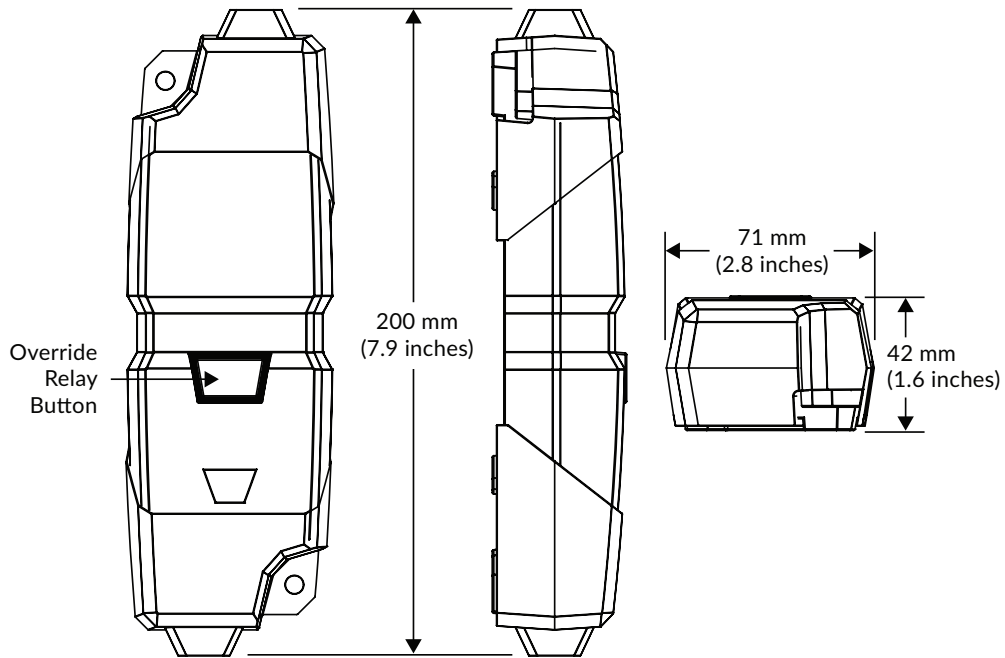
- IP50



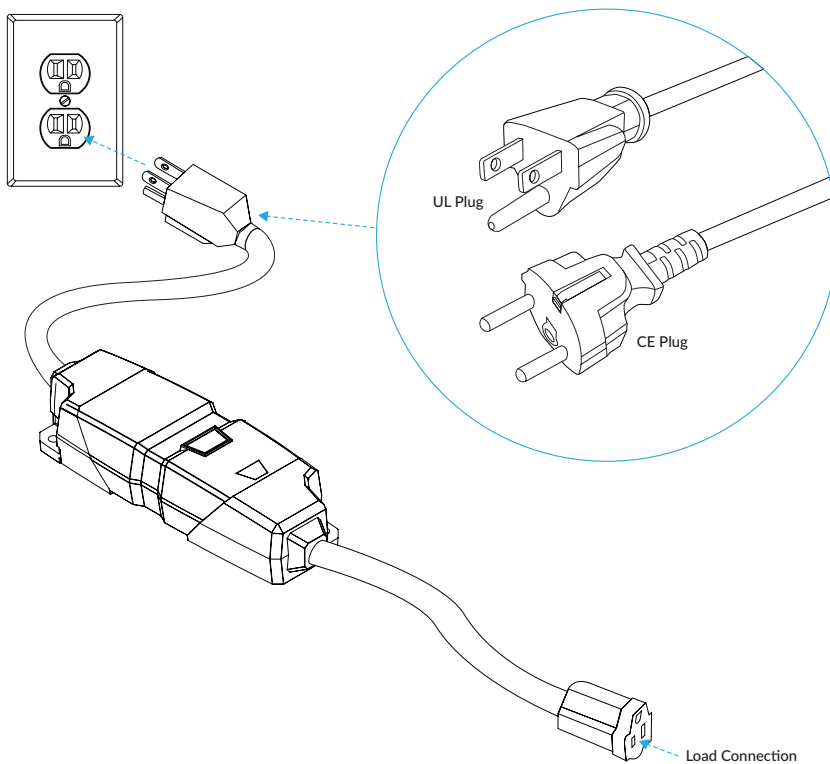
Ordering Information

Part Number	Description
SWN-CRD-ST	NEMA 5-15 — UL
SWN-CRD-CE	CEE 7/7 — CE

Dimensions

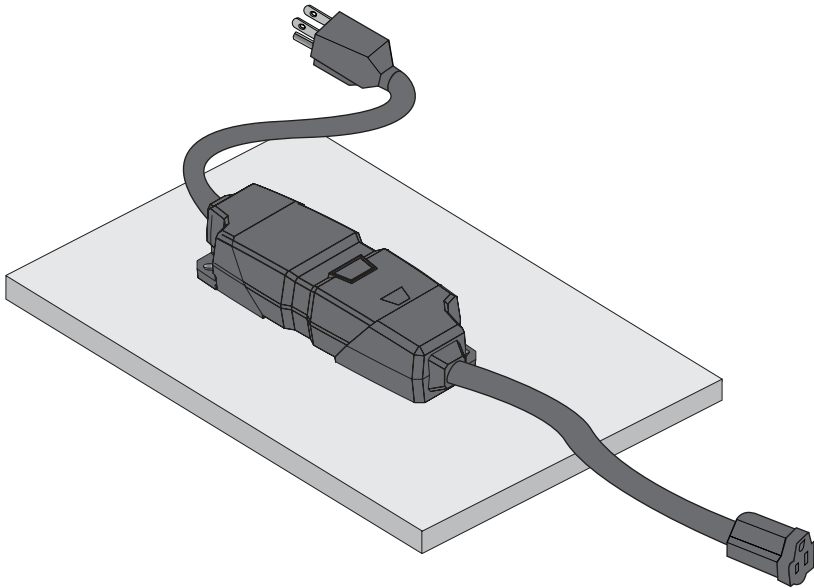


Wiring Diagram



Mounting Option

Surface-Mount



Copyright © 2024 SiteWorx Software USA, LLC.

All rights reserved. SiteWorx, the SiteWorx logo, We Generate Facility Wellness, LightRules, and any other trademark, service mark, or tradename (collectively "the Marks") are either trademarks or registered trademarks of SiteWorx Software USA, LLC in the United States and/or other countries, or remain the property of their respective owners that have granted SiteWorx Software USA, LLC the right and license to use such Marks and/or are used herein as nominative fair use. Due to continuous improvements and innovations, specifications may change without notice.

DOC-004013-00 Rev H 07-24