

SWN-KPD

Lighting Control Keypad

Date: _____

Quantity: _____

Company: _____

Project: _____



The **SWN-KPD** is a wireless, intelligent, user-configurable keypad that enables local lighting control.

The SWN-KPD keypad provides familiar push-button lighting control with direct communication to the SiteWorx Tune advanced lighting control application.

SiteWorx Applications

- SiteWorx Tune



Key Features & Benefits

- Line powered with wireless communication for easy installation into any standard electrical box
- 4 programmable buttons that can enable or disable highly-customizable lighting scenes
- Includes vacancy, bi-level dimming, manual On/Off, automatic full off, and scene controls when used with SiteWorx Tune advanced lighting control application
- Enables compliance with local codes such as CA Title 24, Part 6
- Incorporates and extends the SiteWorx wireless mesh network

Specifications

SENSING AND CONTROL

Lighting Control

- 4 user-configurable push-buttons that can enable or disable lighting scenes

Network Communication

- SiteWorx Wireless Mesh Network
IEEE 802.15.4 enabling communication with SiteWorx Smart Devices
- 2.4 GHz Band

Technology Platform

- Incorporates and extends the SiteWorx wireless mesh network

ELECTRICAL

Input Voltage

- 120 to 277 VAC, 50/60 Hz 40 mA

Power Consumption

- <0.5 W Standby

Power Wires

- 16 AWG flying leads

ENVIRONMENTAL

Operating Temperature

- 0° to 50°C (32° to 122°F)

Operating Humidity

- 0% to 95%, non-condensing, for indoor use only

PHYSICAL

Dimensions (H x W x D)

- Without Wall Plate
45 x 112 x 47 mm (1.8 x 4.4 x 1.9 inches)
- With Wallplate
70 x 117 x 47 mm (2.8 x 4.6 x 1.9 inches)

Weight

- 90 g (3.15 oz)

Mounting Option

- Wall Mount

WARRANTY

- 5-Year Limited

CERTIFICATIONS & SAFETY

Approbations

- UL/cUL, UL-NOM, FCC Part 15 Class B, E148771, CSA, Title 24, ASHRAE 90.1-2016, IECC

Environmental Suitability

- IP30

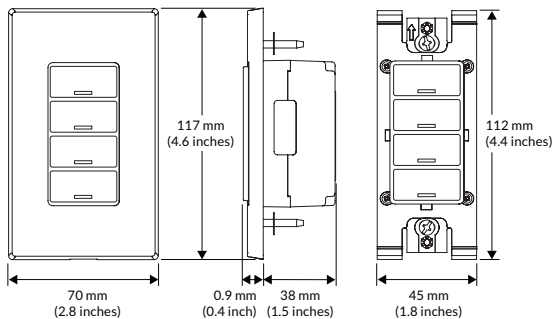


Ordering Information

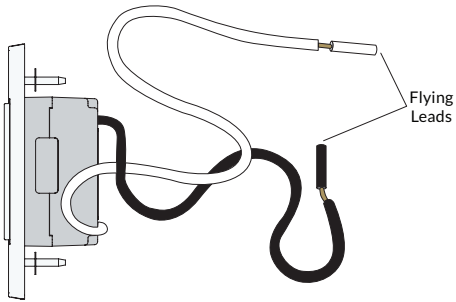
Part Number

SWN-KPD-ST

Dimensions

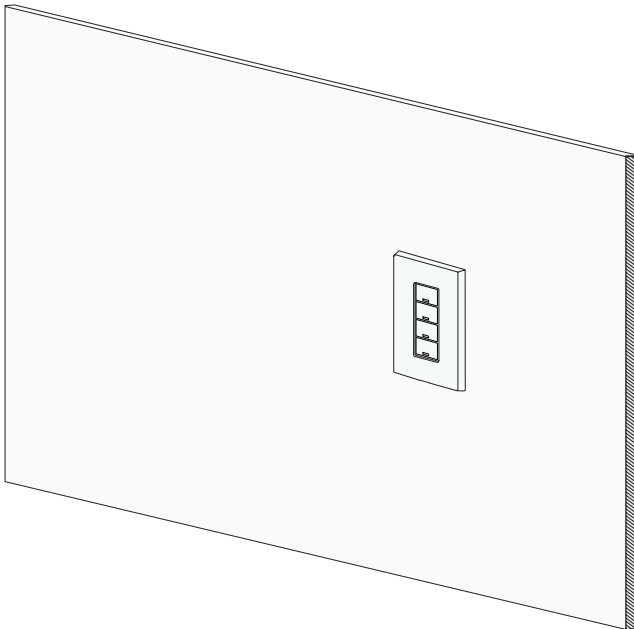


Wiring Diagram



Mounting Option

Wall Mount



Copyright © 2024 SiteWorx Software USA, LLC.

All rights reserved. SiteWorx, the SiteWorx logo, We Generate Facility Wellness, LightRules, and any other trademark, service mark, or tradename (collectively "the Marks") are either trademarks or registered trademarks of SiteWorx Software USA, LLC in the United States and/or other countries, or remain the property of their respective owners that have granted SiteWorx Software USA, LLC the right and license to use such Marks and/or are used herein as nominative fair use. Due to continuous improvements and innovations, specifications may change without notice.

DOC-004016-00 Rev G 07-24