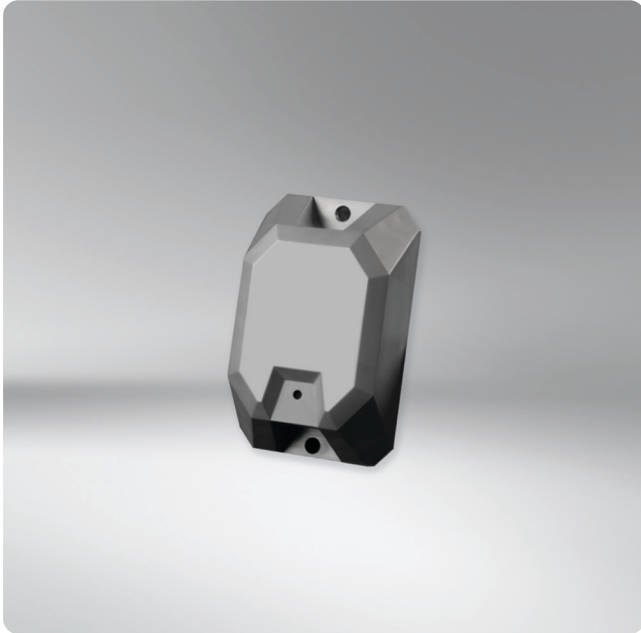


SWN-TRH

Wireless Temperature and Relative Humidity Sensor



The **SWN-TRH** is a wireless environmental monitoring sensor that collects temperature and relative humidity data. It is designed to be deployed with the SiteWorx Sense application to deliver powerful reporting, alerts, and actionable intelligence.

Date: _____

Quantity: _____

Company: _____

Project: _____

SiteWorx Applications

- SiteWorx Sense



Key Features & Benefits

- Monitor facilities and optimize processes through a real-time stream of actionable environmental data, monitoring, and alerts
- Dramatically reduce installation and reporting time by automating auditable, secure, and unalterable record storage and reporting
- Adjustable collection rates from 1 minute to 1 hour for better data granularity
- Utilize SiteWorx® Sense Alarm capabilities to notify key personnel via email or SMS when your facility deviates from optimal temperature or relative humidity
- Incorporates the SiteWorx wireless mesh network

Specifications

SENSING AND CONTROL

Smart Device Integration

- Collects temperature and relative humidity data
- Delivers powerful reporting, alerts, and actionable intelligence via SiteWorx Sense

Network Communication

- SiteWorx Wireless Mesh Network
IEEE 802.15.4 enabling communication with SiteWorx Smart Devices
- 24 GHz Band

Technology Platform

- Incorporates the SiteWorx wireless mesh network

PERFORMANCE

Sample Interval

- 1 to 60 minute (5 minute default)

Humidity Range

- 0% to 100%

Humidity Accuracy

- ±3%

Temperature Range

- -40° to 60°C (-40° to 140°F)

Temperature Accuracy

- ±0.5°C (±1.8°F)

ENVIRONMENTAL

Operating Temperature

- -40° to 60°C (-40° to 140°F)

Operating Humidity

- 0% to 100%

PHYSICAL

Enclosure

- PC/PBT Plastic

Dimensions (H x W x D)

- 88 x 54 x 28 mm (3.5 x 2.1 x 1.1 inches)

Weight

- 222 g (7.8 oz)

Mounting Option

- Screw Mount
- Adhesive Mount
- Nylon Cable Mount

Mounting Hole Diameter

- 5.3 mm (0.21 inch)

Mounting Hole Spacing

- (2x) centerline; 78 mm (3.1 inches) apart

Battery Type

- (2x) LI-CR123A

Battery Life

- 5-Years maximum (depending on sample interval)

WARRANTY

- 5-Year Limited

CERTIFICATIONS & SAFETY

Approbations

- CE, UKCA, FCC Part 15 Class B

Environmental Suitability

- IP65

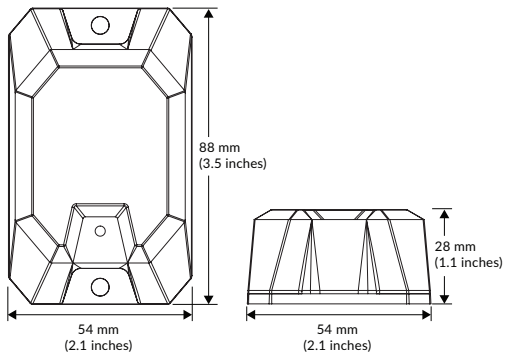


Ordering Information

Part Number

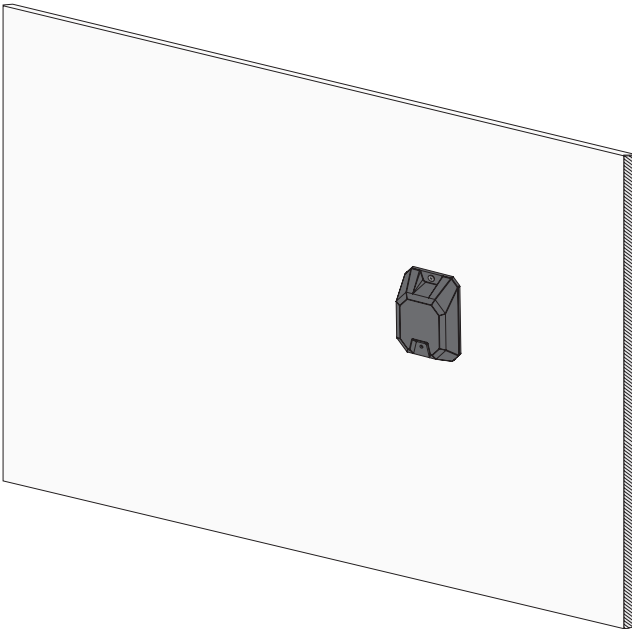
SWN-TRH-GP

Dimensions

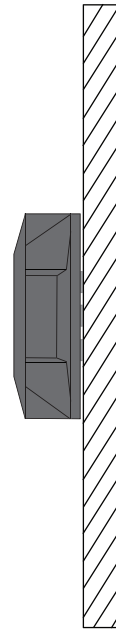


Mounting Options

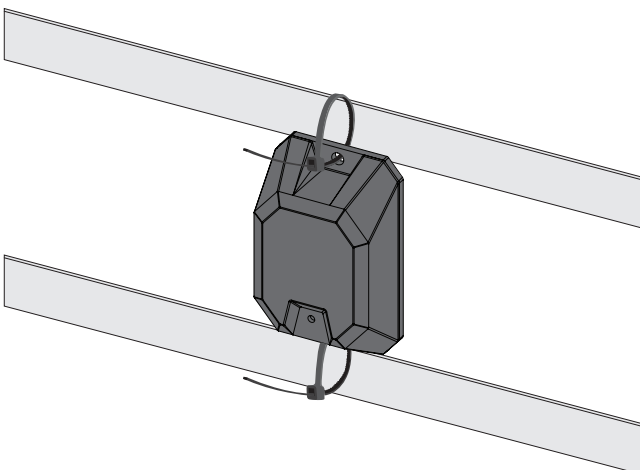
Screw Mount



Adhesive Mount



Nylon Cable Mount



Copyright © 2024 SiteWorx Software USA, LLC.

All rights reserved. SiteWorx, the SiteWorx logo, We Generate Facility Wellness, LightRules, and any other trademark, service mark, or tradename (collectively "the Marks") are either trademarks or registered trademarks of SiteWorx Software USA, LLC in the United States and/or other countries, or remain the property of their respective owners that have granted SiteWorx Software USA, LLC the right and license to use such Marks and/or are used herein as nominative fair use. Due to continuous improvements and innovations, specifications may change without notice.

DOC-004009-00 Rev G 07-24

